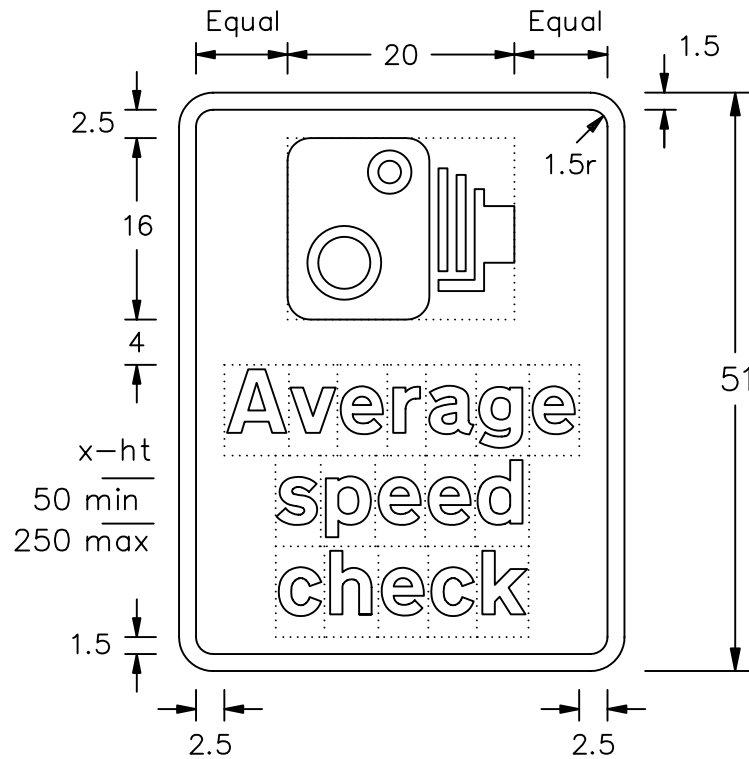


Drawing No.
NP 878.1

Related drawing
S 58

© CROWN COPYRIGHT

- NOTES:—
1. The legend is from the Transport Heavy alphabet at the x-heights shown.
 2. Details of the camera symbol are given on drawing S 58.
 3. The tile outlines do not form part of the sign.
 4. COLOURS : Legend, Symbol & Border --- BLACK
Background ----- WHITE
 5. DIMENSIONS : x-heights are in millimetres, other dimensions are in stroke widths. (4sw = x-height)



NP878x1

Before using this drawing, confirm that it has not been superseded.

Department for
Transport

Title: Informatory Sign
AVERAGE SPEED CHECK

Issue: Date:
A: 30.6.05
B:
C:

Drawn by:
L.W.
Approved by:
R.M.

Dimensions:
SEE
NOTE 5

Drawing No.
NP 878.1