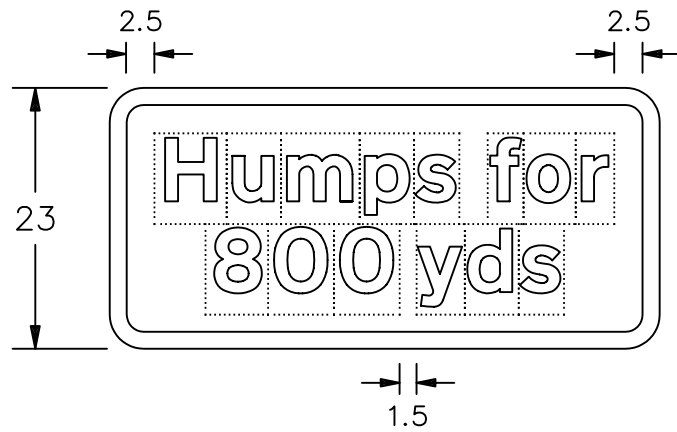
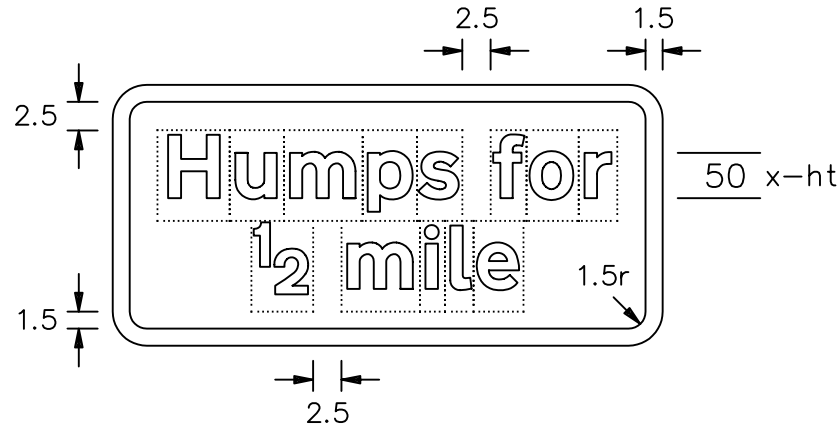


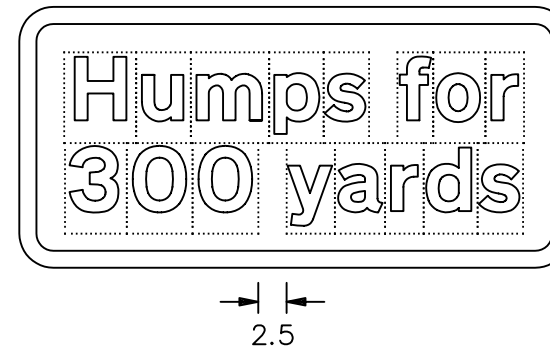
Drawing No.  
P 557.2

© CROWN COPYRIGHT

- NOTES:-
1. The legend is from the Transport Heavy alphabet at the x-heights shown.
  2. The tile outlines do not form part of the signs.
  3. COLOURS : Background ----- WHITE  
Legend & Border ---- BLACK
  4. DIMENSIONS : x-heights are in millimetres, other dimensions are in stroke widths. (4sw = x-height)



VARIANT



VARIANT

P557x2

Before using this drawing, confirm that it has not been superseded.

Department for  
**Transport**

Title: Warning Signs  
SUPPLEMENTARY PLATES  
FOR USE WITH P 557.1

Issue: Date:  
A: 28.6.94  
B: 13.11.02  
C:

Drawn by:  
R.M.  
Approved by:  
R.M.

Dimensions:  
SEE  
NOTE 4

Drawing No.  
P 557.2