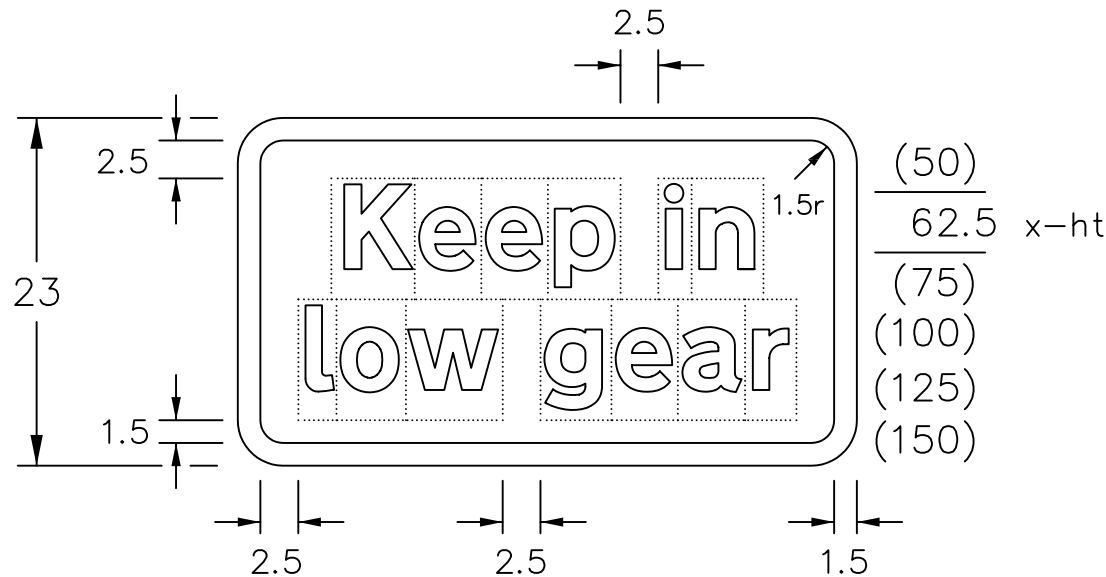


Drawing No.  
P 526

© CROWN COPYRIGHT

- NOTES:— 1. The legend is from the Transport Heavy alphabet at the x-heights shown.
2. The tile outlines do not form part of the sign.
3. COLOURS : Background ----- WHITE  
Legend & Border --- BLACK
4. DIMENSIONS : x-heights are in millimetres, other dimensions in stroke widths. (4sw = x-height)



P526

Before using this drawing, confirm that it has not been superseded.

**Department for  
Transport**

Title: Warning Sign  
SUPPLEMENTARY PLATE FOR USE  
WITH TRIANGULAR SIGNS

Issue: Date:  
A: 22.6.94  
B: 16.6.04  
C:

Drawn by: S.P.  
Approved by: R.M.

Dimensions:  
SEE  
NOTE 4

Drawing No.  
P 526