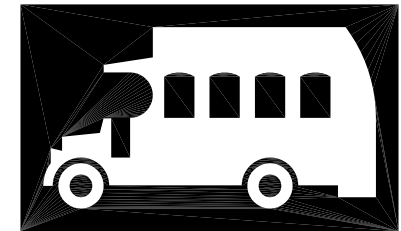
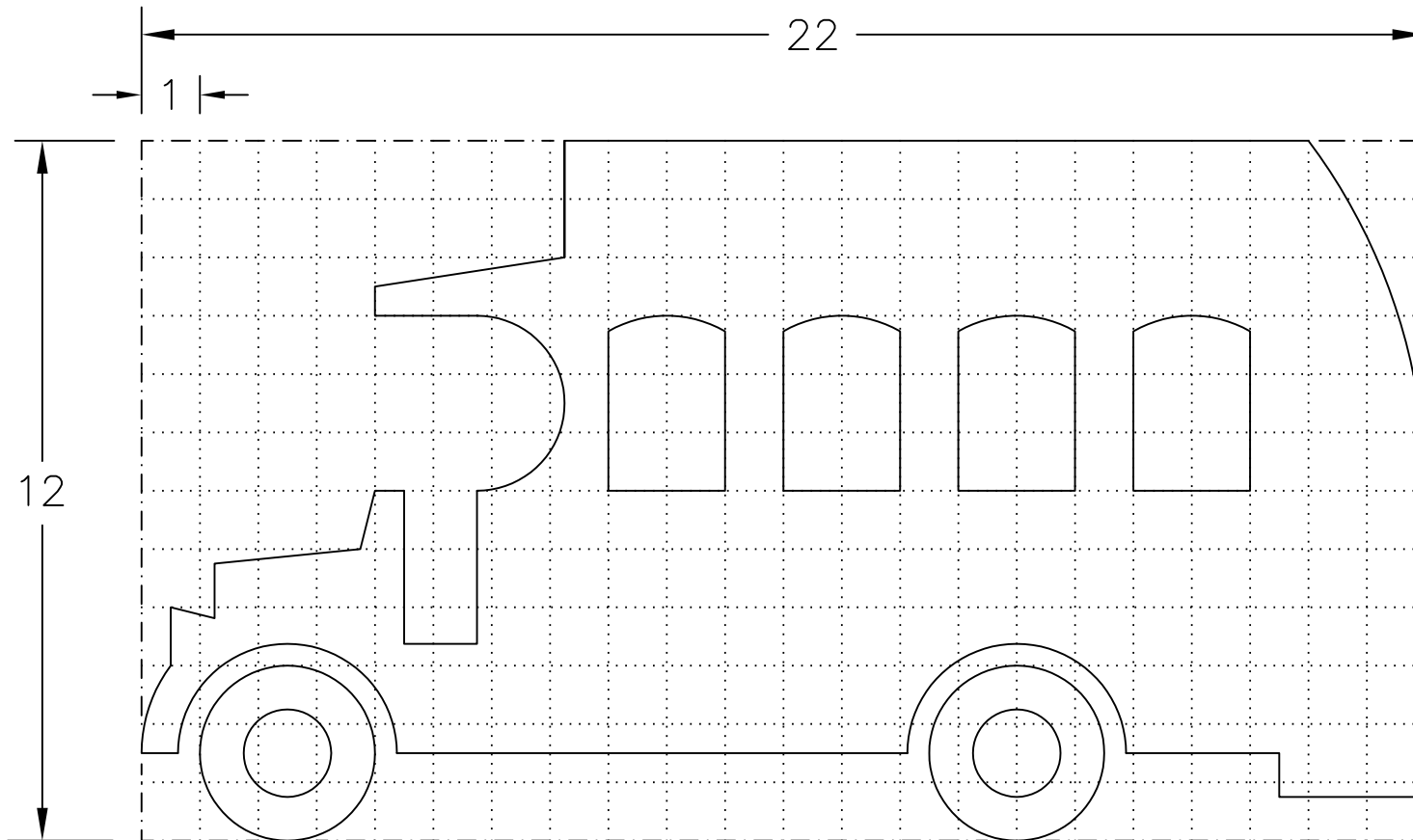


Drawing No.  
T 162

© CROWN COPYRIGHT

- NOTES: 1. The grid does not form part of any sign to which the symbol is applied.  
 2. Dimensions are given in grid divisions (normally equal to 1/4 x-height).  
 3. The symbol may be reversed.



T162

Before using this drawing, confirm that it has not been superseded.

<b>Department for Transport</b>	Title:	Tourist Attraction Symbol	Issue: Date:	Drawn by:	Dimensions:	Drawing No.
		BUS MUSEUM	A: 18.2.03	R.M.	SEE NOTE 2	T 162
			B:	Approved by:		
			C:	R.M.		