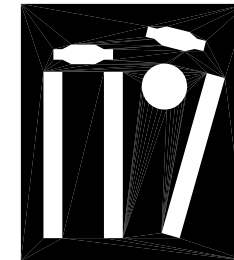
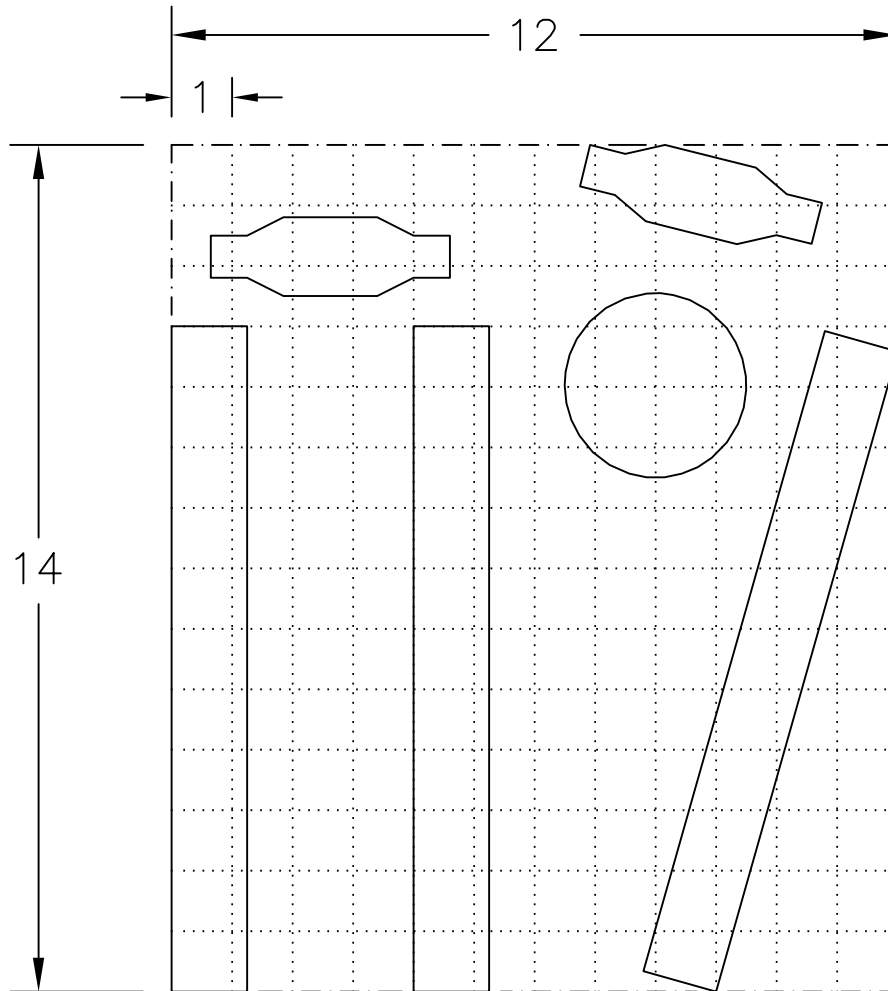


Drawing No.
T 137

© CROWN COPYRIGHT

- NOTES: 1. The grid does not form part of any sign to which the symbol is applied.
2. Dimensions are given in grid divisions (normally equal to 1/4 x-height).



T137

Before using this drawing, confirm that it has not been superseded.

<p><i>Department for Transport</i></p>	<p>Title: Tourist Attraction Symbol</p>		<p>Issue: A: 17.2.03</p>	<p>Date: R.M.</p>	<p>Drawn by: R.M.</p>	<p>Dimensions: SEE NOTE 2</p>	<p>Drawing No. T 137</p>
	<p>CRICKET GROUND</p>		<p>B:</p>	<p>Approved by: R.M.</p>			
			<p>C:</p>				