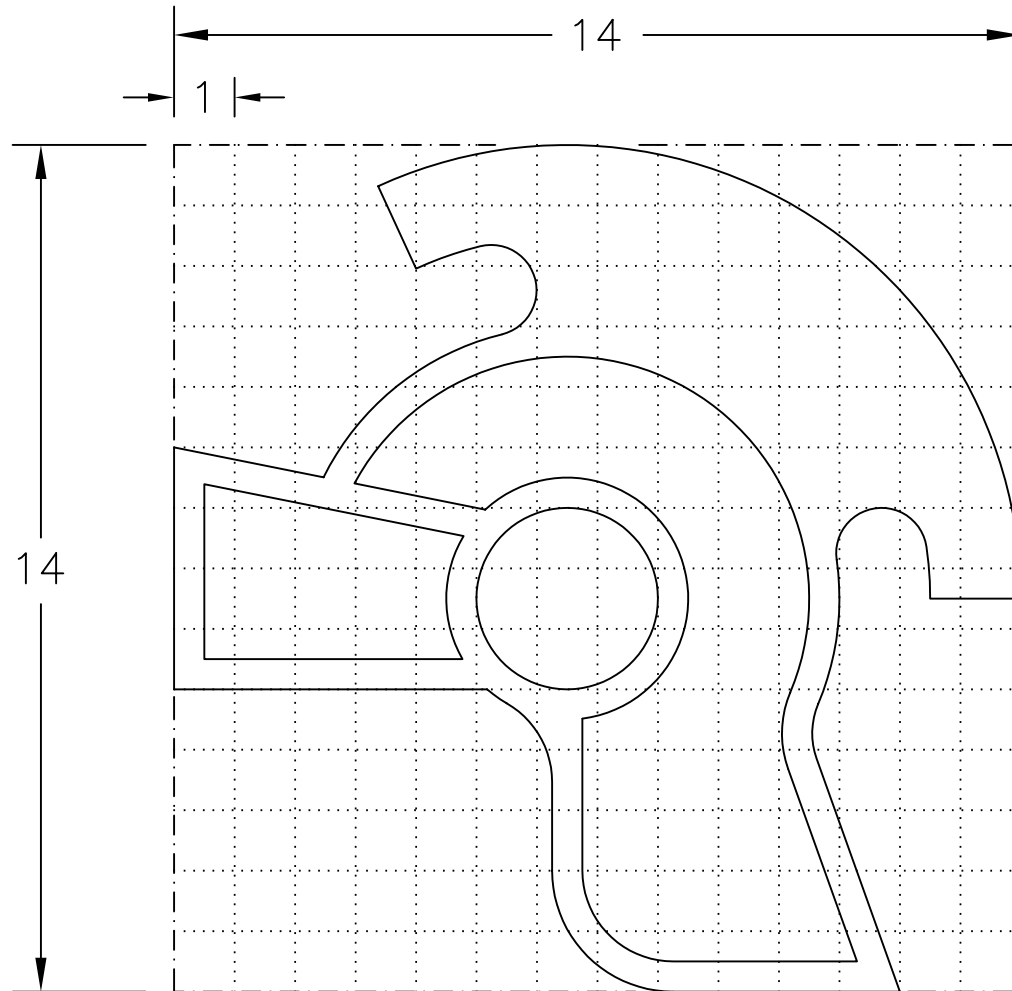


Drawing No.  
T 127

© CROWN COPYRIGHT

- NOTES: 1. The grid does not form part of any sign to which the symbol is applied.
2. Dimensions are given in grid divisions (normally equal to 1/4 x-height).
3. The symbol may be reversed.



T127

Before using this drawing, confirm that it has not been superseded.

<b>Department for Transport</b>	Title:	Tourist Attraction Symbol	Issue:	Date:	Drawn by:	Dimensions:	Drawing No.
		SITE WITH ROMAN REMAINS	A:	1.7.94	S.P.	SEE NOTE 2	T 127
			B:	14.1.04	Approved by:		
			C:		R.M.		