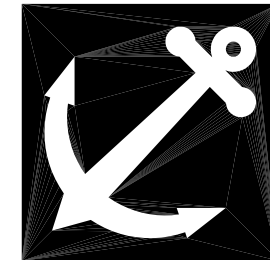
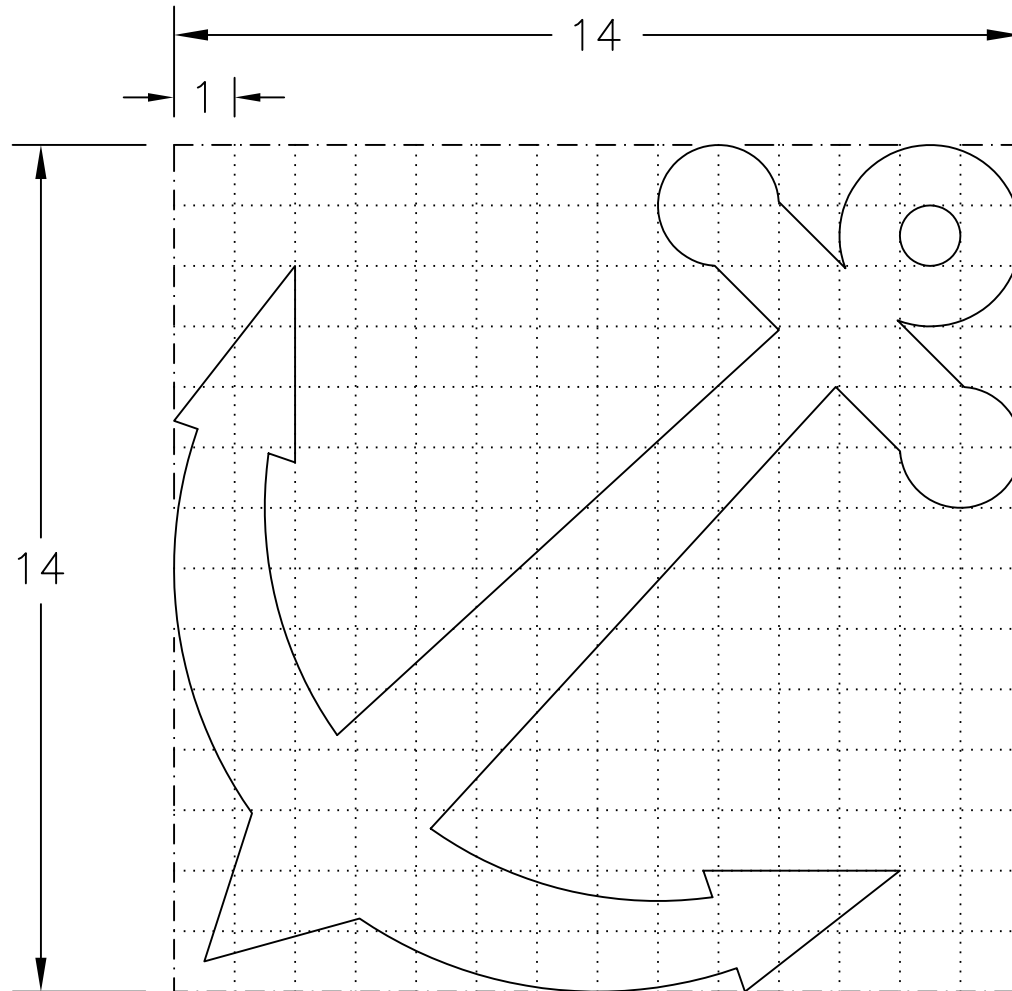


Drawing No.  
T 116

© CROWN COPYRIGHT

- NOTES: 1. The grid does not form part of any sign to which the symbol is applied.
2. Dimensions are given in grid divisions (normally equal to 1/4 x-height).
3. The symbol may be reversed.



T116

Before using this drawing, confirm that it has not been superseded.

|                                     |        |                              |        |          |              |               |             |
|-------------------------------------|--------|------------------------------|--------|----------|--------------|---------------|-------------|
| <b>Department for<br/>Transport</b> | Title: | Tourist Attraction<br>Symbol | Issue: | Date:    | Drawn by:    | Dimensions:   | Drawing No. |
|                                     |        | HISTORIC DOCKYARD            | A:     | 1.7.94   | S.P.         | SEE<br>NOTE 2 | T 116       |
|                                     |        |                              | B:     | 29.12.03 | Approved by: |               |             |
|                                     |        |                              | C:     |          | R.M.         |               |             |