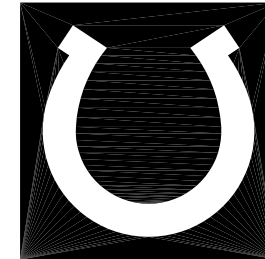
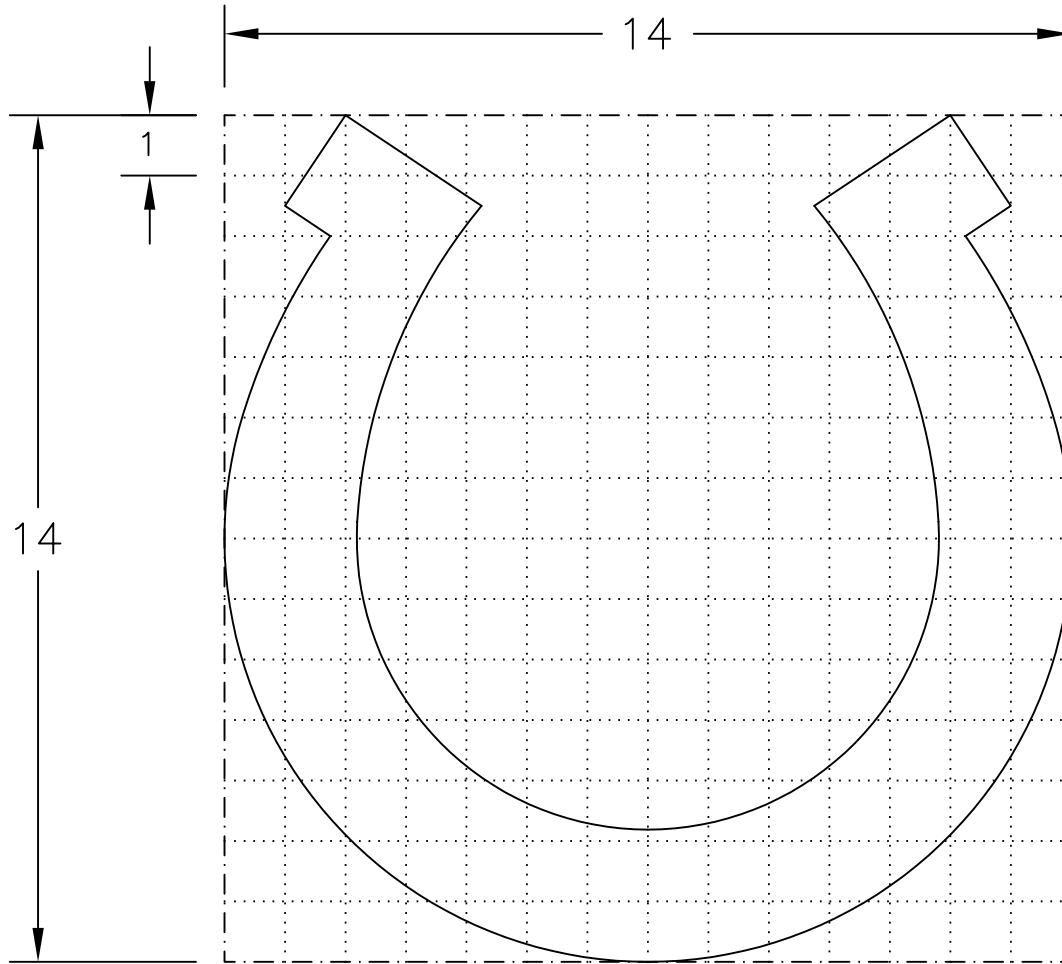


Drawing No.  
T 111

© CROWN COPYRIGHT

- NOTES: 1. The grid does not form part of any sign to which the symbol is applied.  
2. Dimensions are given in grid divisions which are normally equal to 1/4 x-ht.



T111

Before using this drawing, confirm that it has not been superseded.

<b>Department for Transport</b>	Title:	Tourist Attraction Symbol	Issue:	Date:	Drawn by:	Dimensions:	Drawing No.
		EQUESTRIAN CENTRE	A:	1.7.94	S.P.	SEE NOTE 2	T 111
			B:	11.7.03	Approved by:		
			C:		R.M.		