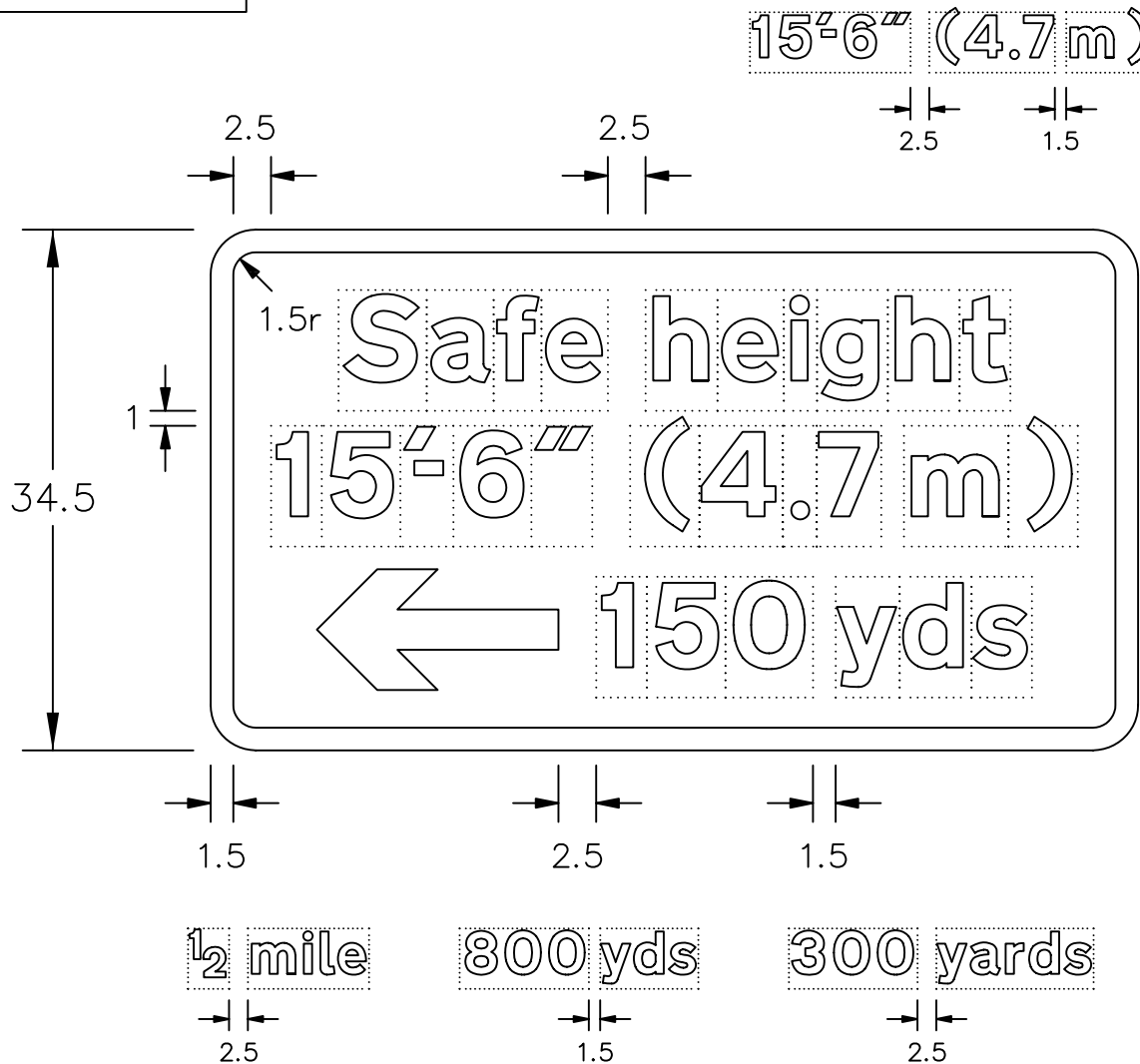


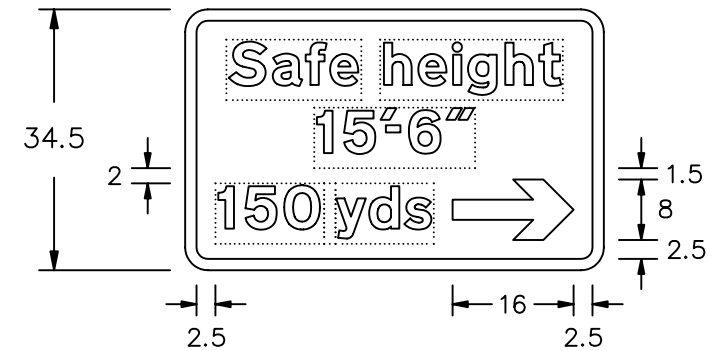
Drawing No.
P 780.1A

Before using this drawing, confirm that it has not been superseded.

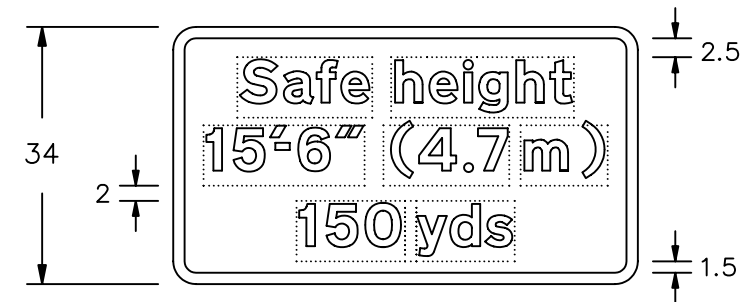
© CROWN COPYRIGHT



- NOTES: 1. The legend is from the Transport Heavy alphabet at the x-heights shown.
2. The tile outlines do not form part of the signs.
3. COLOURS : Background ----- WHITE
Legend, Arrow & Border --- BLACK
4. DIMENSIONS : x-heights are in millimetres, other dimensions are in stroke widths. (4sw = x-height)



VARIANT



VARIANT

P780x1A

Issue B : Top right hand drawing reversed

Department for
Transport

Title: Warning Signs
SAFE HEIGHT
SUPPLEMENTARY PLATES FOR USE WITH P 779

Issue: Date: Drawn by:
A: 8.7.03 L.W.
B: 12.7.05 Approved by:
C: R.M.

Dimensions:
SEE NOTE 4

Drawing No.
P 780.1A