

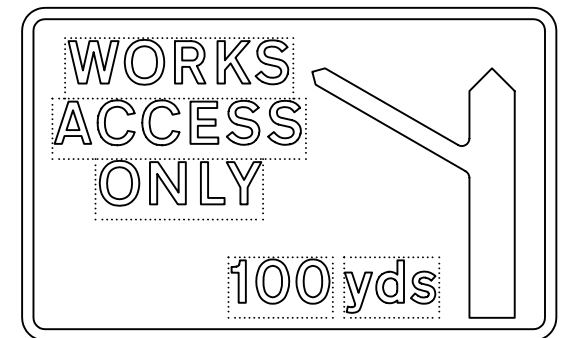
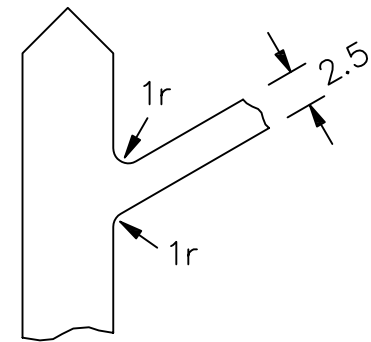
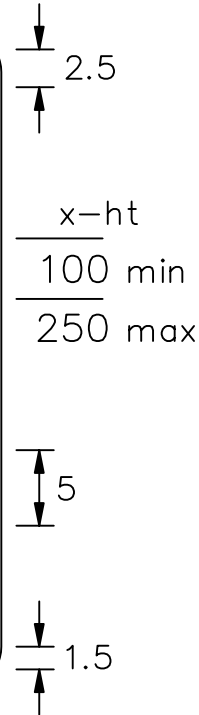
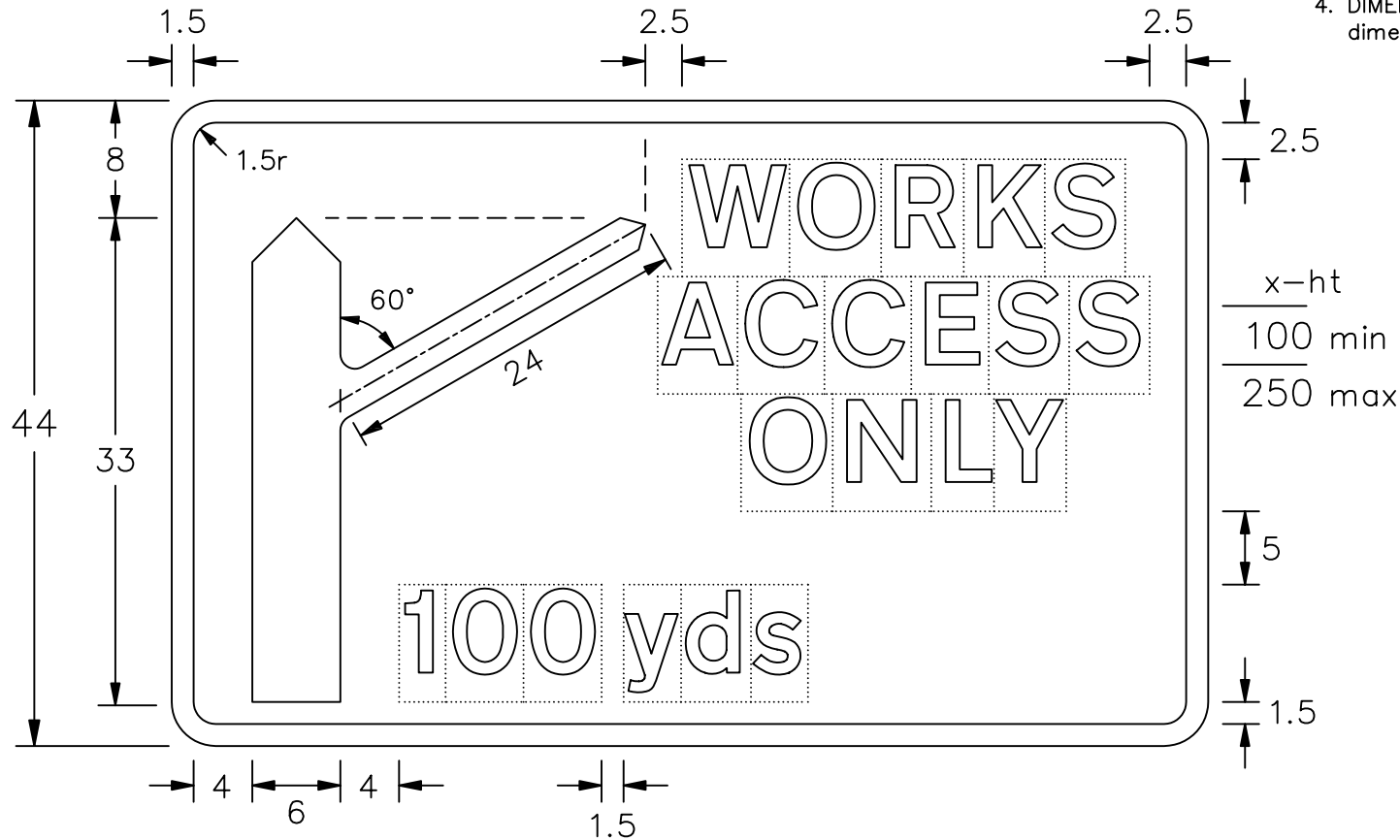
Drawing No.
P 7306

Before using this drawing, confirm that it has not been superseded.

© CROWN COPYRIGHT

Route symbol widths are as shown and are not related to the status of the route indicated.

- NOTES: 1. The legend is from the Transport Medium alphabet at the x-heights shown.
2. The tile outlines do not form part of the signs.
3. COLOURS : Background ----- RED
Legend, Route symbol & Border --- WHITE
4. DIMENSIONS : x-heights are in millimetres, other dimensions are in stroke widths. (4sw = x-height)



P7306

Department for
Transport

Title: Temporary Signs
ROUTE FOR WORKS TRAFFIC
AT ACCESS POINT AHEAD

Issue: Date: Drawn by:
A: 23.11.95 S.P.
B: 10.1.05 Approved by:
C: R.M.

Dimensions:
SEE
NOTE 4

Drawing No.
P 7306