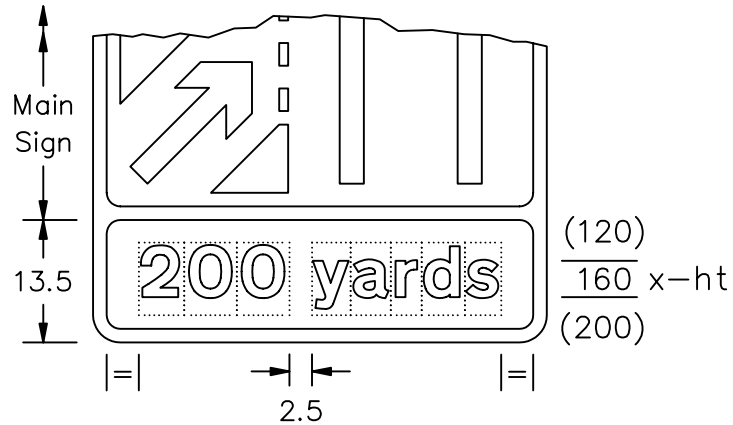


Drawing No.  
P 7256

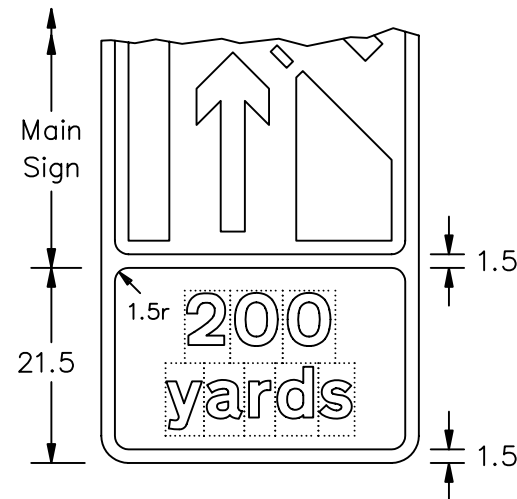
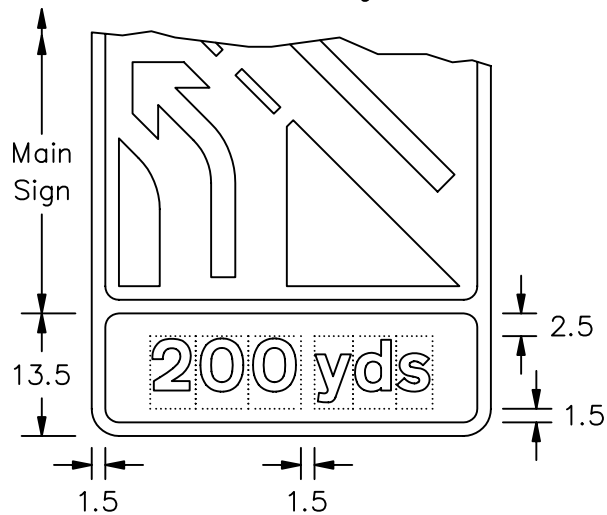
© CROWN COPYRIGHT



- NOTES: 1. The legend is from the Transport Heavy alphabet at the x-heights shown.
2. The tile outlines do not form part of the signs.
3. COLOURS : Background ----- YELLOW  
Legend & Border ----- BLACK  
Arrows & Lane Lines --- BLACK  
Blocks ----- RED
4. DIMENSIONS : x-heights are in millimetres, other dimensions are in stroke widths. (4sw = x-height)
5. The distance plate may be added to any sign shown on drawings P 7250 to P 7255 inclusive.

VARIANT

For narrow signs



VARIANT

For signs less than 39sw wide

P7256

Before using this drawing, confirm that it has not been superseded.

Department for  
**Transport**

Title: Temporary Signs  
DISTANCE PLATES FOR LANE GAIN  
LANE DROP & TRAFFIC MERGE

Issue: Date: Drawn by:  
A: 27.11.95 S.P.  
B: 1.2.05 Approved by:  
C: R.M.

Dimensions:  
SEE  
NOTE 4

Drawing No.  
P 7256