

Drawing No.
P 7207

Before using this drawing, confirm that it has not been superseded.

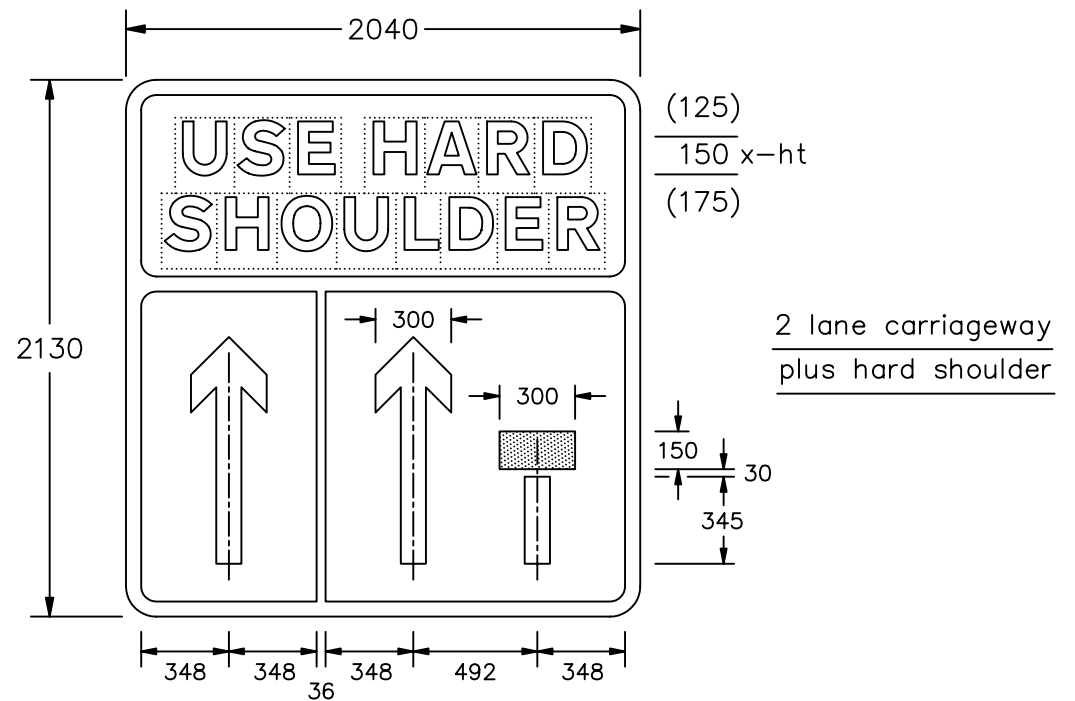
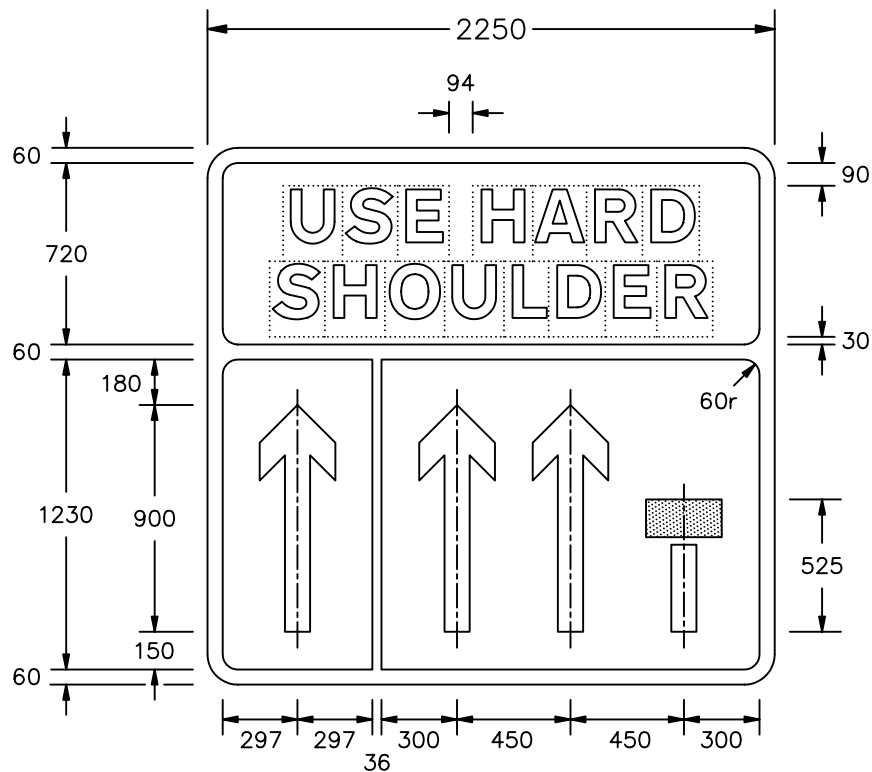
© CROWN COPYRIGHT

4 or more lane carriageway plus hard shoulder

Dimensions as for 3 lane carriageway plus hard shoulder.
Each additional lane increases the width of the sign by 450mm.

- NOTES: 1. The legend is from the Transport Heavy alphabet at the x-heights shown.
2. The tile outlines do not form part of the signs.
3. COLOURS : Background ----- YELLOW
Legend & Border ----- BLACK
Arrows & Lane Divider --- BLACK
Bar (shaded) ----- RED
4. DIMENSIONS : All dimensions shown are based on the 150mm x-height and shall be varied proportionally for the other x-heights (shown in brackets).
5. A distance plate may be added at the base of the sign (see drawing P 7208).

3 lane carriageway plus hard shoulder



P7207

**Department for
Transport**

Title: Road Works Signs
NUMBER OF LANES AVAILABLE AT ROAD
WORKS AHEAD WITH HARD SHOULDER
USED AS A RUNNING LANE

Issue: Date: Drawn by: Dimensions:
A: 27.11.95 S.P.
B: 3.2.05 Approved by: MILLIMETRES
C: R.M.

Drawing No.
P 7207