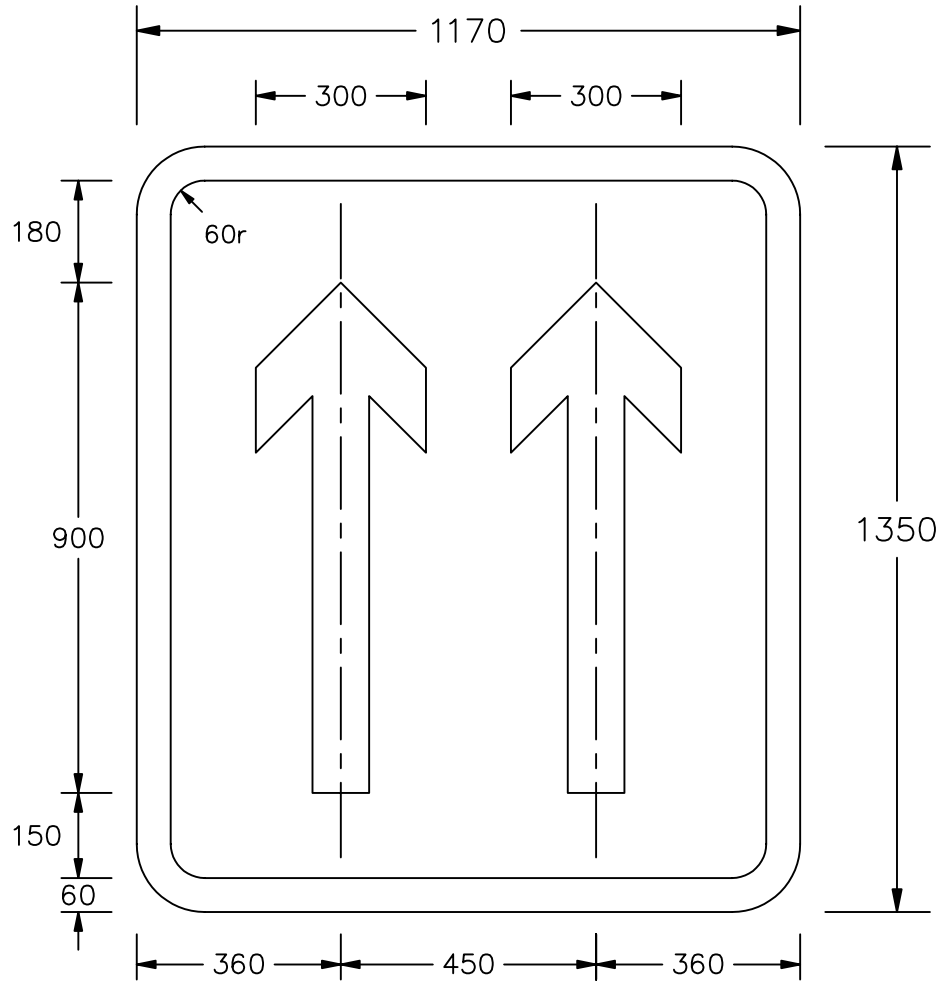


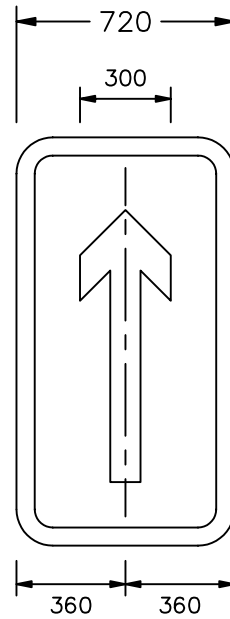
Drawing No.
P 7205

© CROWN COPYRIGHT

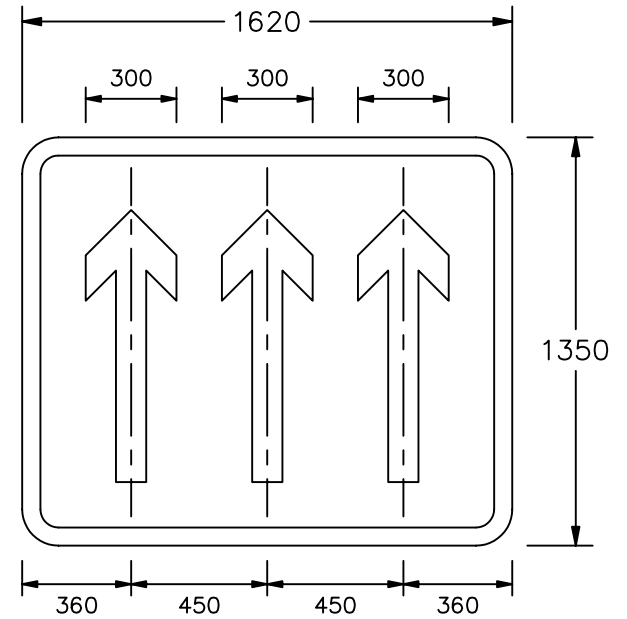
COLOURS : Background ----- YELLOW
Border & Arrows ---- BLACK



Two lanes available



One lane available



Three lanes available

P7205

Before using this drawing, confirm that it has not been superseded.

**Department for
Transport**

Title: Road Works Signs
NUMBER OF LANES AVAILABLE
AT ROADWORKS

Issue: Date:
A: 27.11.95
B: 20.1.05
C:

Drawn by: R.M.
Approved by: R.M.

Dimensions:
MILLIMETRES

Drawing No.
P 7205