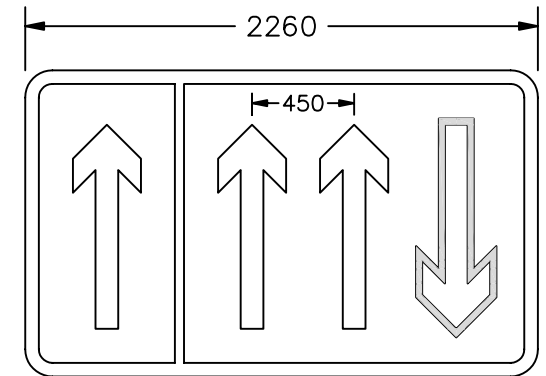
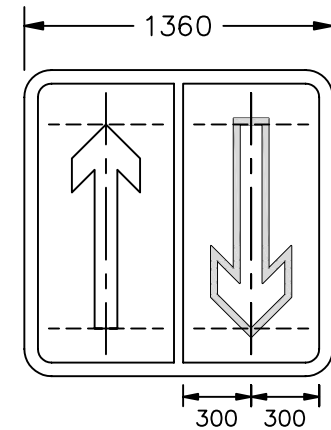
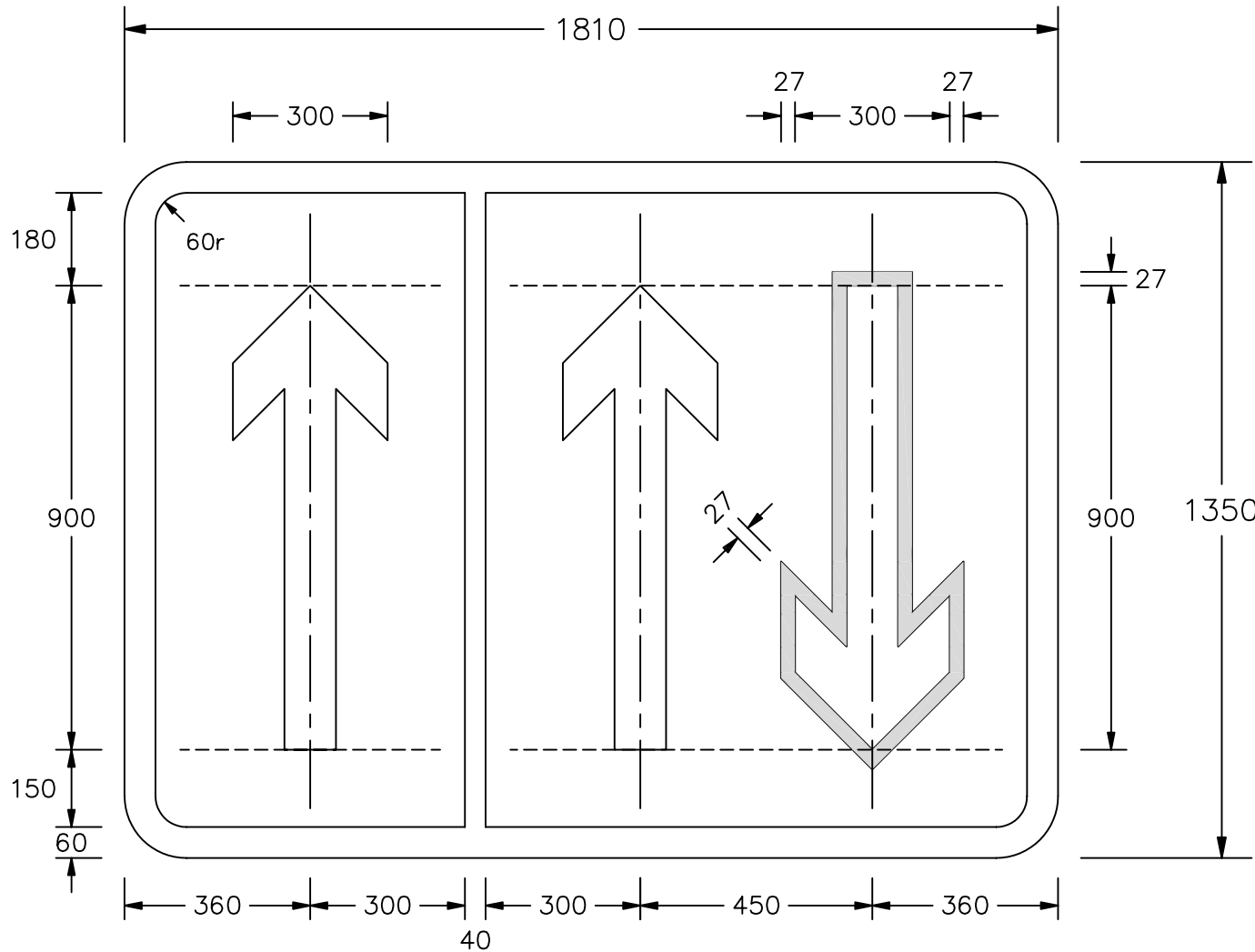


Drawing No.
P 7203.1

Before using this drawing, confirm that it has not been superseded.

© CROWN COPYRIGHT

COLOURS : Background ----- YELLOW
 Border & Upward Arrows ----- BLACK
 Downward Arrow ----- WHITE
 Outline of Downward Arrow ----- BLACK
 Lane Divider ----- BLACK



VARIANTS

Normally, only one downward pointing arrow is used

P7203x1

**Department for
Transport**

Title: Road Works Signs
**HARD SHOULDER RUNNING AND
 CONTRA-FLOW AT ROAD WORKS**

Issue: Date: Drawn by:
 A: 17.11.95 R.M.
 B: 20.1.05 Approved by:
 C: R.M.

Dimensions:
 MILLIMETRES

Drawing No.
 P 7203.1