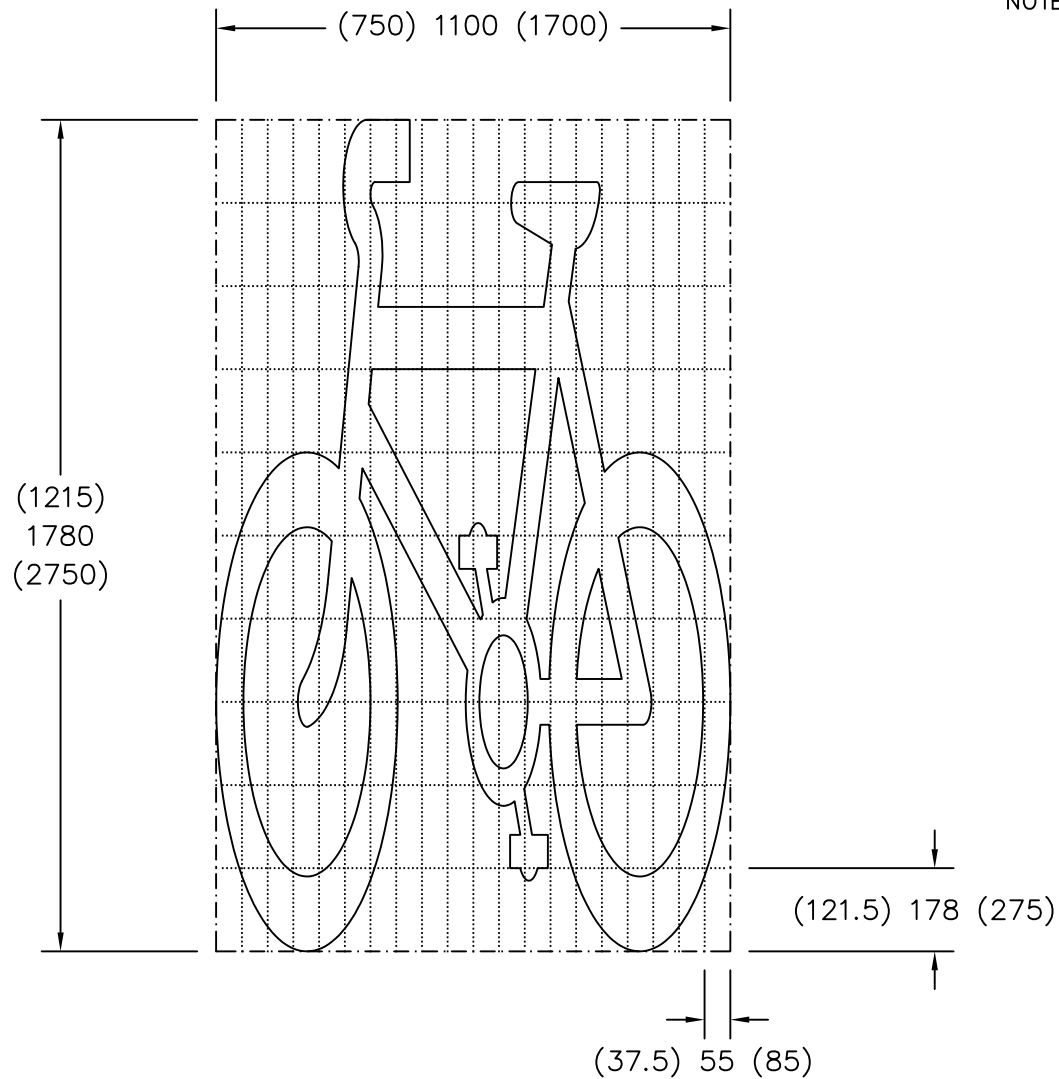


Drawing No.  
P 1057

© CROWN COPYRIGHT



- NOTES: -
1. The marking is based on the cycle symbol shown on drawing S 24 and stretched vertically by a factor of 2.75.
  2. The grid does not form part of the marking.
  3. COLOUR : Cycle Symbol --- WHITE
  4. The symbol shall be reversed when used with a right turning arrow.

P1057

Before using this drawing, confirm that it has not been superseded.

**Department for  
Transport**

Title: Road Marking  
CYCLE SYMBOL

Issue: Date:  
A: 30.6.94  
B: 11.7.03  
C:

Drawn by: S.P.  
Approved by: R.M.

Dimensions:  
MILLIMETRES

Drawing No.  
P 1057