

Drawing No.
P 1027.1
 Sheet 1 of 2

Before using this drawing, confirm
 that it has not been superseded.

© CROWN COPYRIGHT

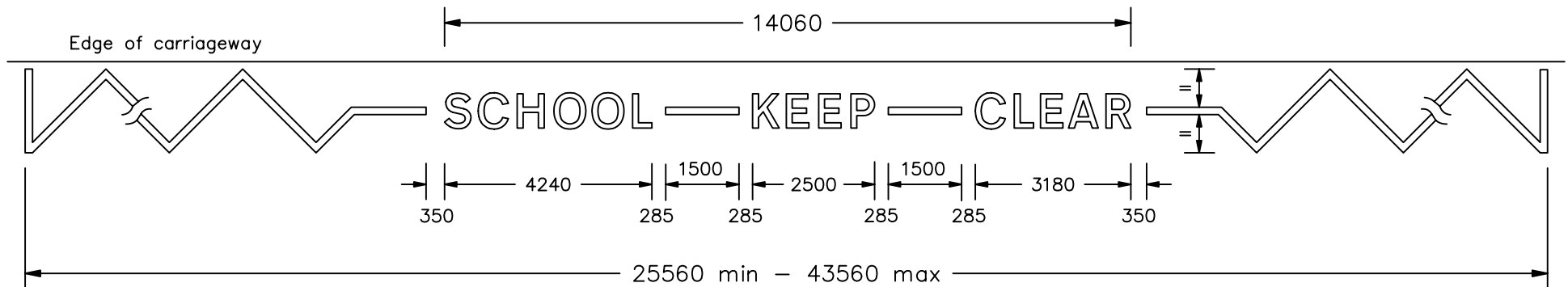
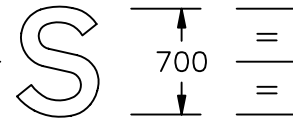
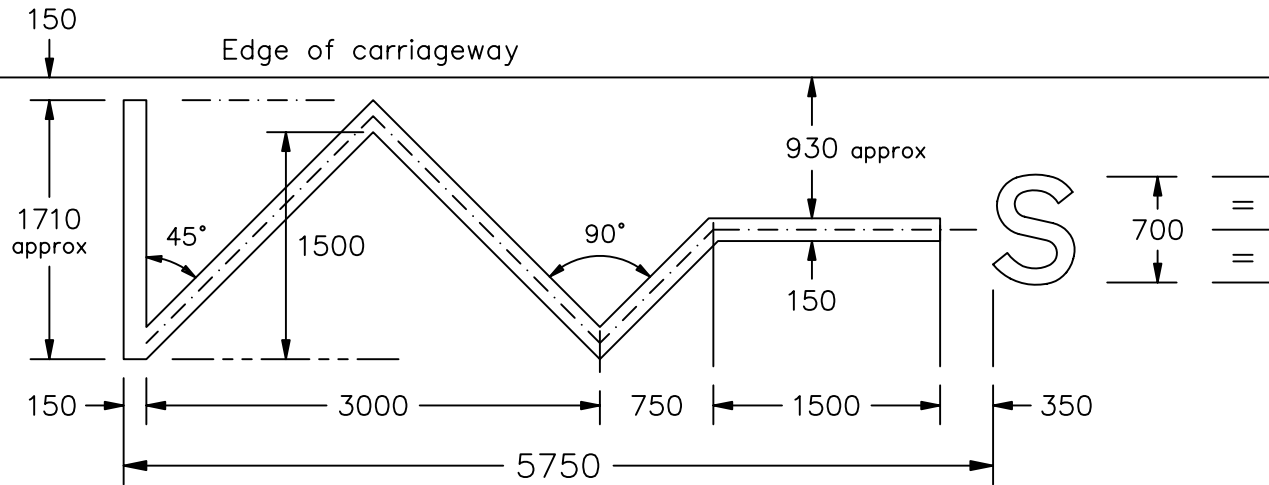
NOTES: 1. The letters are from Schedule 13 Part VI (c) to the
 Regulations at 500mm x-height (700mm upper case
 letter height).

2. COLOUR : Letters & Markings --- YELLOW

3. The overall length of the marking may be increased
 by increments of 6 metres by the inclusion of a
 complete zig-zag pattern placed on each side of
 the wording, to the maximum overall length.

4. Dimensions are given to the letters and not to the
 letter tiles.

5. See sheet 2 for variants.



P1027x1-1

**Department for
 Transport**

Title: Road Marking
SCHOOL KEEP CLEAR

Issue: A: 29.6.94
 B: 11.1.05
 C:

Date: S.P.
 Approved by: R.M.

Dimensions: MILLIMETRES

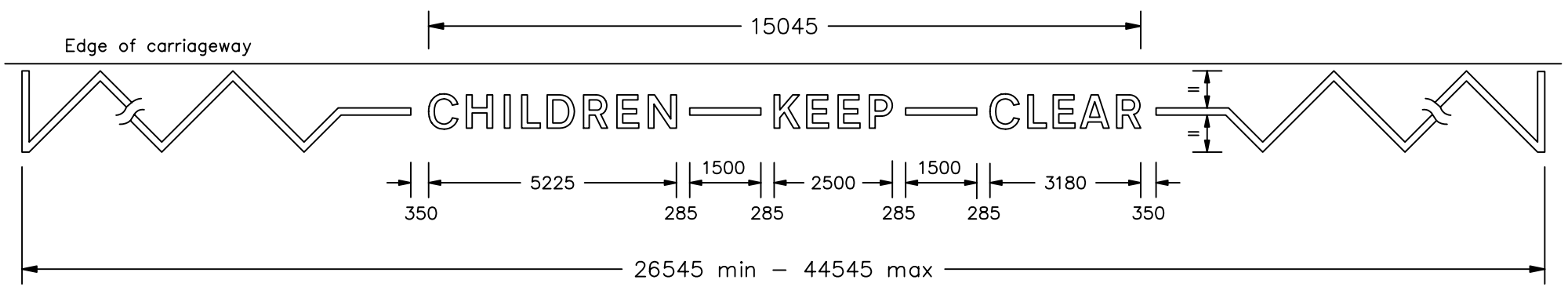
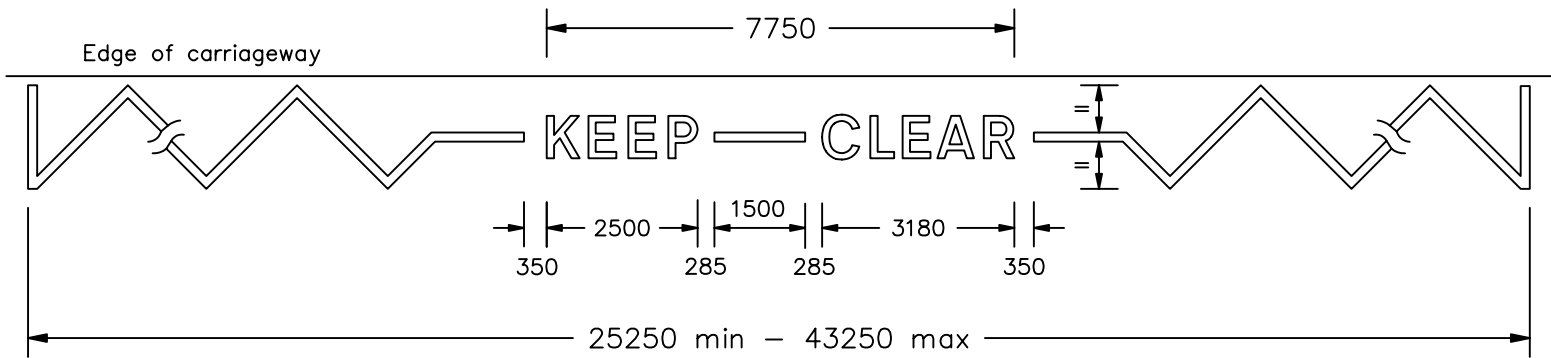
Drawing No.
P 1027.1
 Sheet 1 of 2

Drawing No.
P 1027.1
 Sheet 2 of 2

Before using this drawing, confirm that it has not been superseded.

© CROWN COPYRIGHT

- NOTES:
1. The letters are from Schedule 13 Part VI (c) to the Regulations at 500mm x-height (700mm upper case letter height).
 2. COLOUR: —
 Letters & Markings --- YELLOW
 3. The overall length of the marking may be increased by increments of 6 metres by the inclusion of a complete zig-zag pattern placed on each side of the wording, to the maximum overall length.
 4. Dimensions are given to the letters and not to the letter tiles.
 5. See sheet 1 for other dimensions.



P1027x1-2

Department for Transport	Title:	Road Marking	Issue:	Date:	Drawn by:	Dimensions:	Drawing No.
	KEEP CLEAR (variants)		A:	29.6.94	S.P./L.W.	MILLIMETRES	P 1027.1
			B:	11.1.05	Approved by:		Sheet 2 of 2
			C:		R.M.		