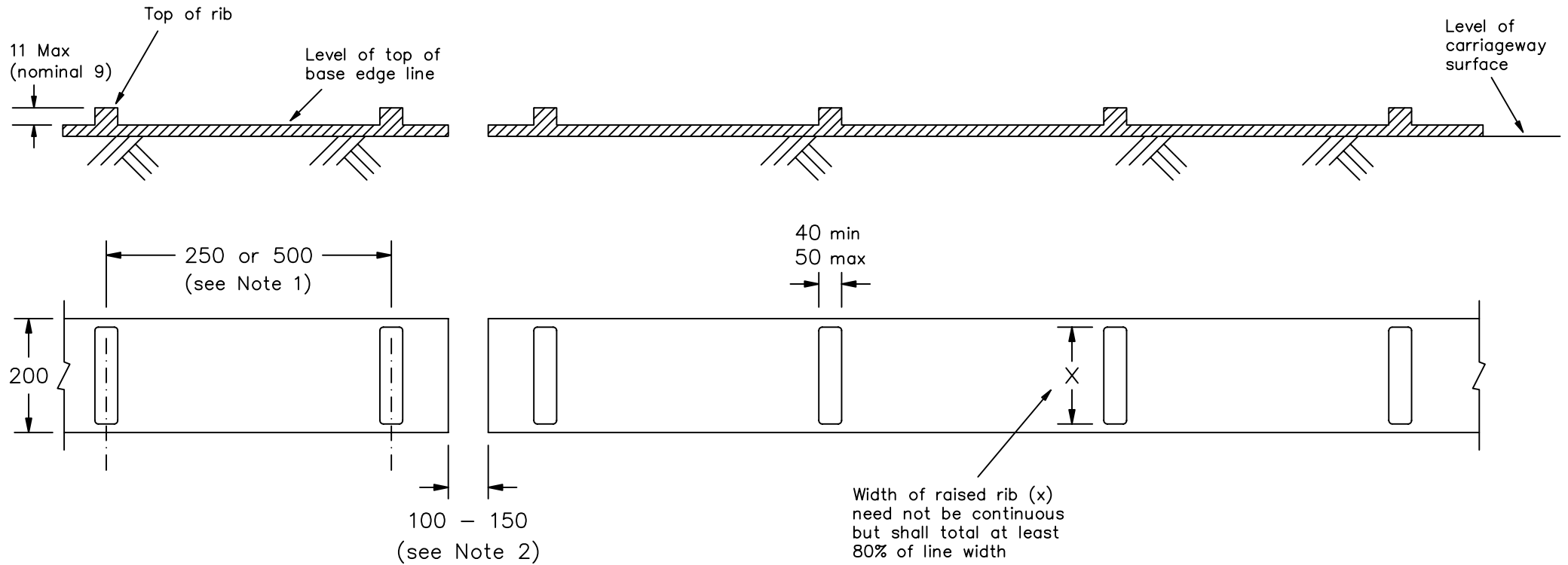


Drawing No.
P 1012.2

© CROWN COPYRIGHT

- NOTES: 1. Spacing of the Raised Rib:
The spacing of the raised rib shall be 500mm, except that a spacing of 250mm may be used on motorway slip road edge lines. The spacing on the main carriageway edge lines will always be 500mm.
2. Drainage Gaps:
Drainage gaps 100mm to 150mm wide spaced at 36 metre intervals should be provided in raised rib edge lines to promote free surface water drainage, and must be provided where the longitudinal fall is less than 1 in 150, in order to prevent ice formation.



P1012x2

Before using this drawing, confirm that it has not been superseded.

Department for
Transport

Title: Motorway Road Marking
WHITE RAISED RIB EDGE LINE

Issue: Date: Drawn by:
A: 29.6.94 S.P.
B: 11.1.05 Approved by:
C: R.M.

Dimensions:
MILLIMETRES

Drawing No.
P 1012.2