

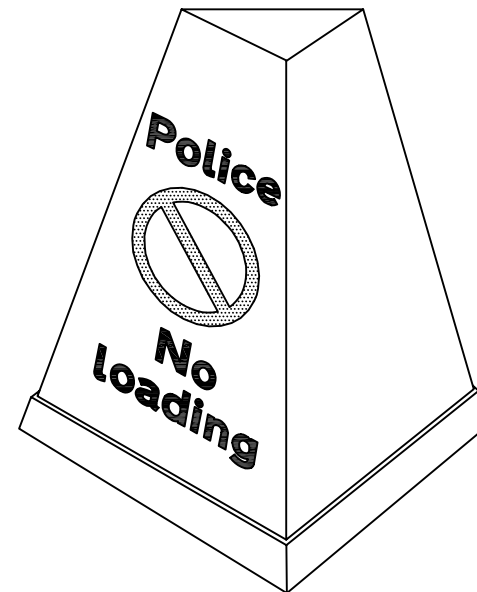
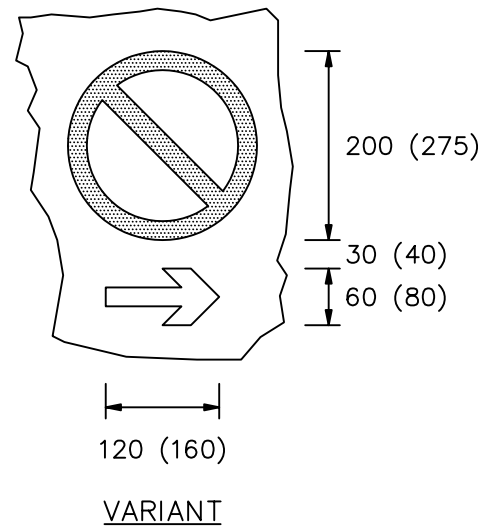
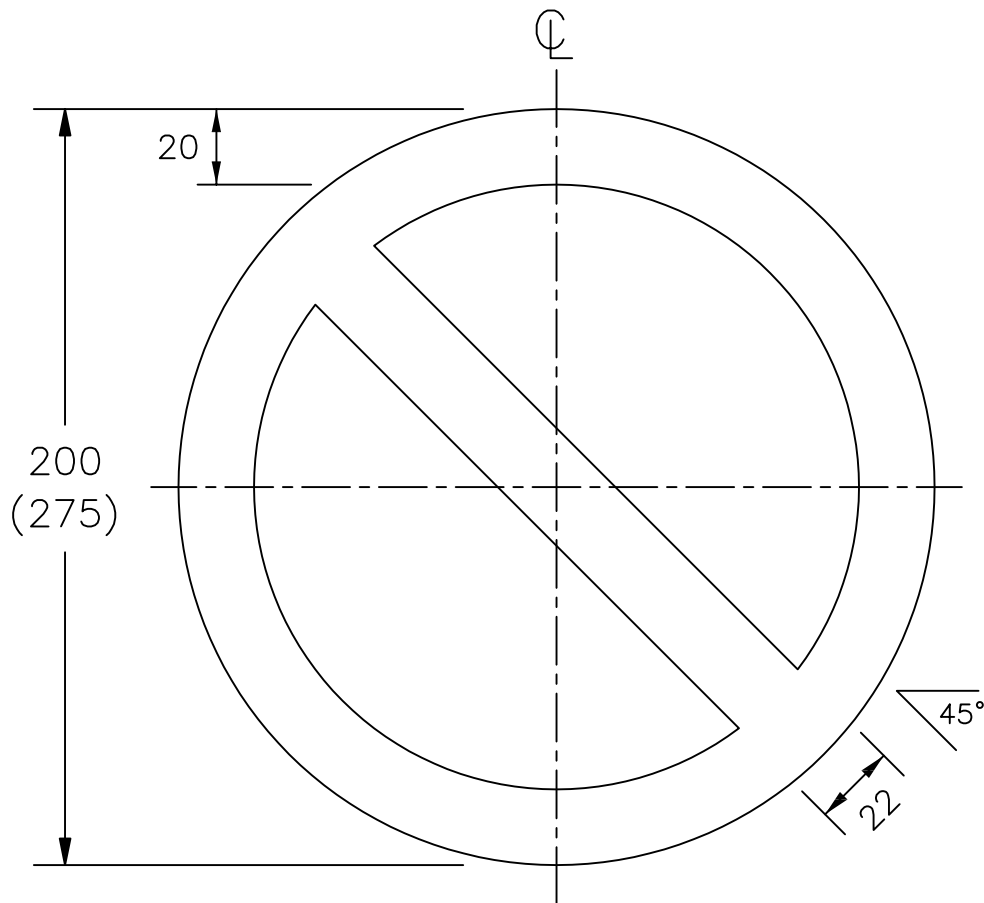
Drawing No.  
P 636

Before using this drawing, confirm that it has not been superseded.

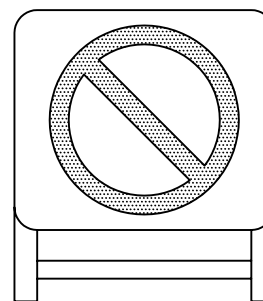
© CROWN COPYRIGHT

NOTES: - 1. The 200mm dia sign dimensions shall be varied proportionally for the 275mm dia sign.

2. COLOURS : Roundel & Bar ----- BLUE  
 Roundel background --- RED  
 Arrow ----- BLACK  
 Background to sign --- YELLOW



200 dia used on police cone and shown with P 636.1 (legend from Transport heavy alphabet)



275 dia used on temporary stand

Issue C : Bracketed dimensions on roundel removed (see note 1)

P636

Department for  
**Transport**

Title: Regulatory Sign  
TEMPORARY PROHIBITION  
OF WAITING

Issue: Date: Drawn by:  
A: 20.7.94 S.P.  
B: 4.12.03 Approved by:  
C: 27.8.04 R.M.

Dimensions:  
MILLIMETRES

Drawing No.  
P 636