

Drawing No.
P 625.1

Related Drawing
S 2

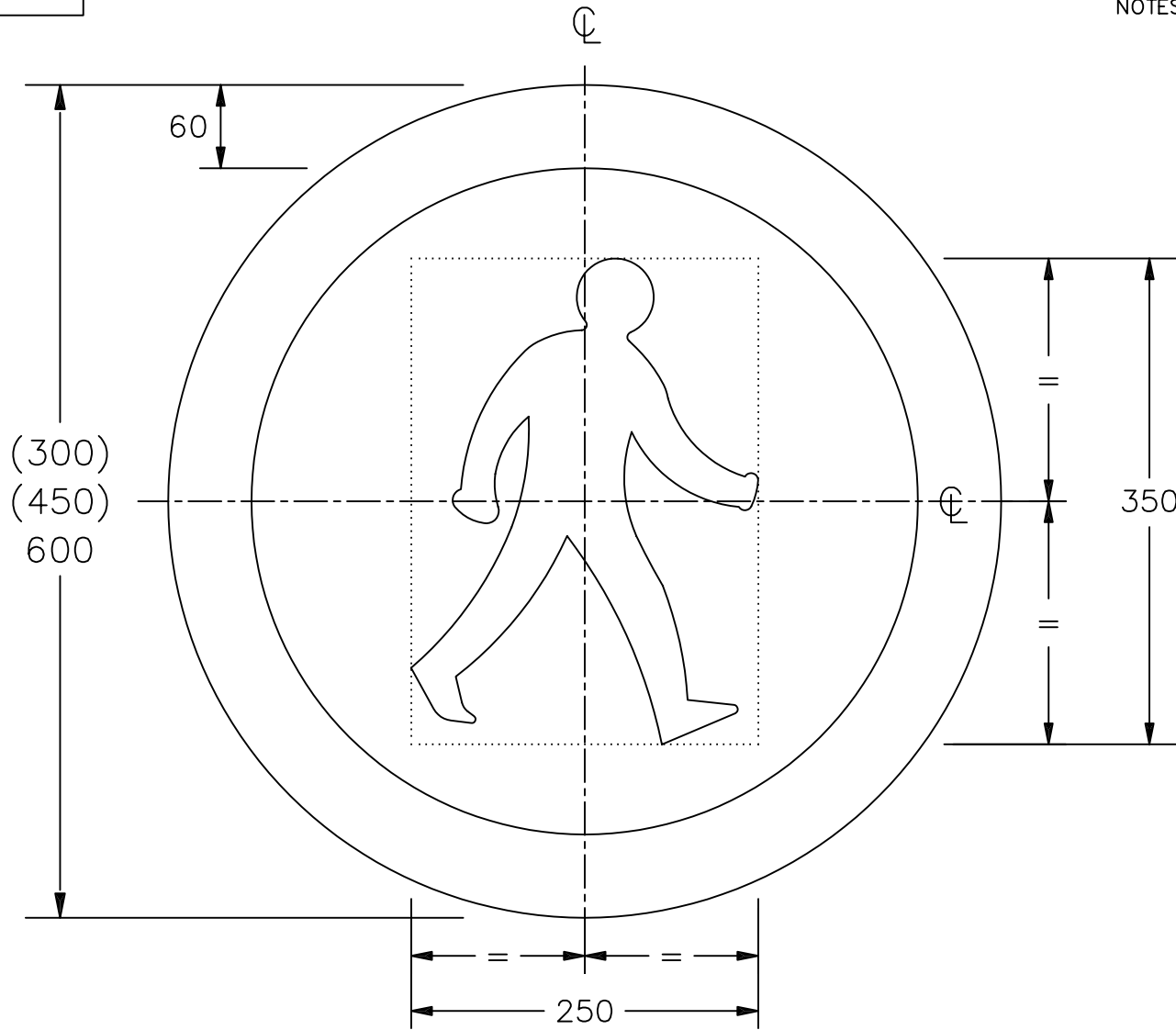
© CROWN COPYRIGHT

NOTES: - 1. All dimensions for the 600mm dia sign shall be varied proportionally for the other roundel sizes.

2. Symbol details are given on drawing S 2.

3. The tile outline does not form part of the sign.

4. COLOURS : Border ----- RED
Symbol ----- BLACK
Background ---- WHITE



P625.1

Before using this drawing, confirm that it has not been superseded.

Department for
Transport

Title: Regulatory Sign
PEDESTRIANS PROHIBITED

Issue: Date:
A: 19.7.94
B: 12.12.02
C:

Drawn by: S.P.
Approved by: R.M.

Dimensions:
MILLIMETRES

Drawing No.
P 625.1