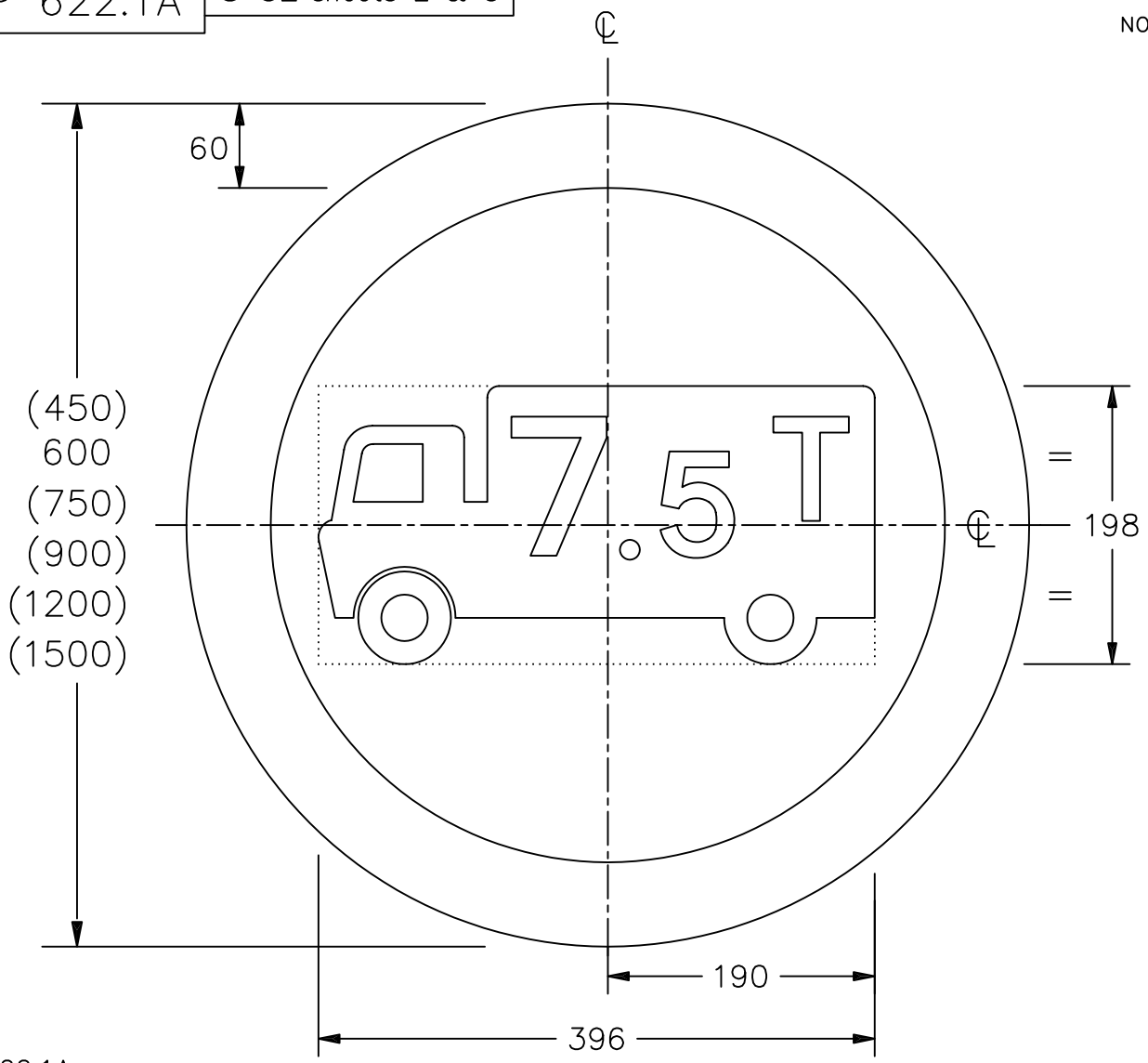


Drawing No.  
P 622.1A

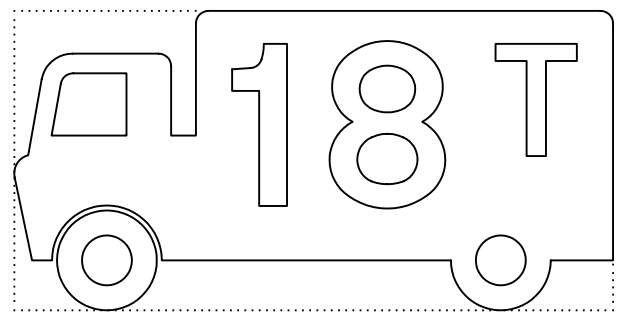
Related Drawings  
S 32 sheets 2 & 3

© CROWN COPYRIGHT

- NOTES: 1. All dimensions for the 600mm dia sign shall be varied proportionally for the other roundel sizes.
2. Symbol details are given on drawing S 32 sheets 2 & 3.
3. The tile outline does not form part of the sign.
4. COLOURS : Border ----- RED  
Symbol ----- BLACK  
with white legend  
Background --- WHITE
5. When the sign is used as a symbol on a directional sign the lorry symbol may be reversed as shown on drawing S 32 sheets 2 & 3.



VARIANT



P622.1A

Before using this drawing, confirm that it has not been superseded.

<b>Department for Transport</b>	Title: Regulatory Sign	Issue: A: 5.7.94	Date: B: 4.12.02	Drawn by: S.P.	Dimensions: MILLIMETRES	Drawing No. P 622.1A
	GOODS VEHICLES OVER 7.5 TONNES OR 18 TONNES (mgw) PROHIBITED	C:	Approved by: R.M.			