

Drawing No.  
P 880

Related Drawings  
S 58 &  
P 670

© CROWN COPYRIGHT

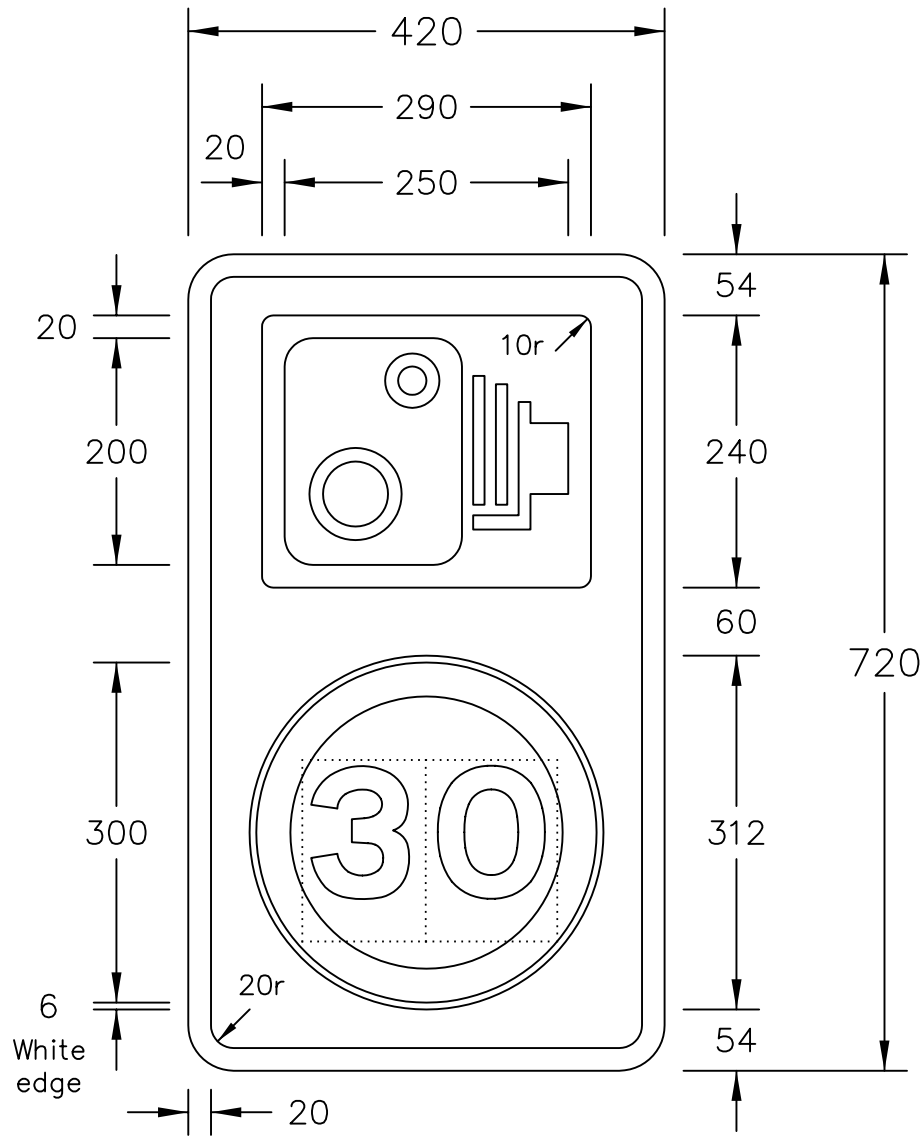
NOTES:- 1. Details of the camera symbol are given on drawing S 58.

2. Details of the speed limit roundel are given on drawing P 670. The diameter is 300mm. The 6mm white edge is added to the outside of the roundel. 30 mph is the only speed limit that may be shown.

3. The tile outlines do not form part of the sign.

4. COLOURS : Main Background --- BLUE  
Border ----- WHITE  
Camera Symbol ---- BLACK  
Camera Panel ----- WHITE

SPEED LIMIT ROUNDEL  
Background --- WHITE  
Numerals ---- BLACK  
Border ----- RED



P880

Before using this drawing, confirm that it has not been superseded.

**Department for  
Transport**

Title: Informatory Sign  
SPEED CAMERA AHEAD  
AND REMINDER OF 30 MPH SPEED LIMIT

Issue: Date:  
A: 14.7.03  
B:  
C:

Drawn by: R.M.  
Approved by:  
R.M.

Dimensions:  
MILLIMETRES

Drawing No.  
P 880