

Drawing No.  
P 827.3

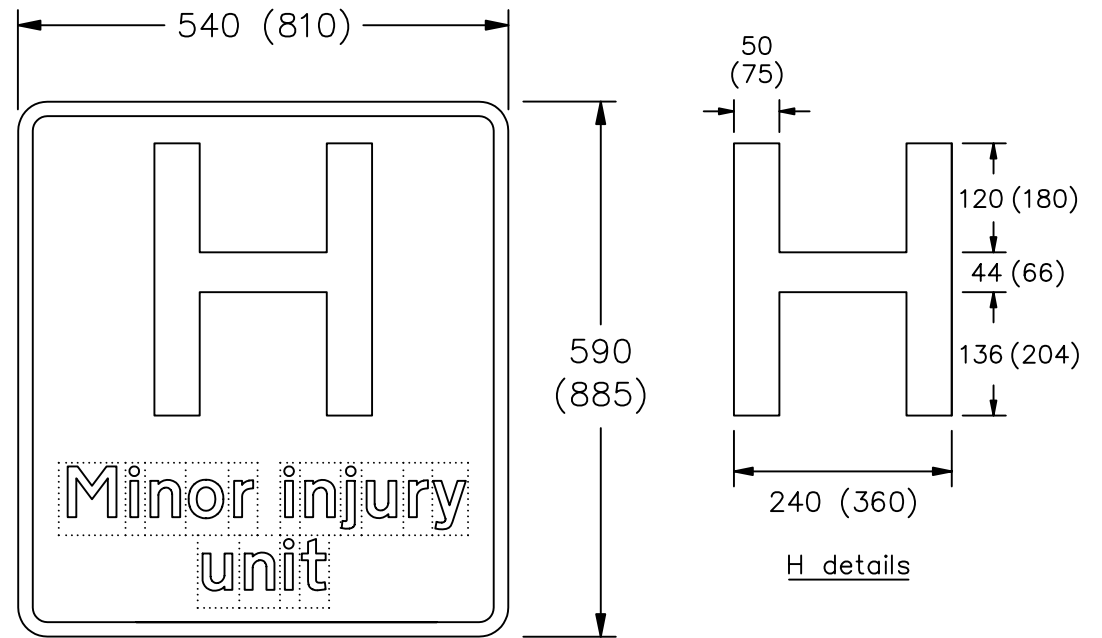
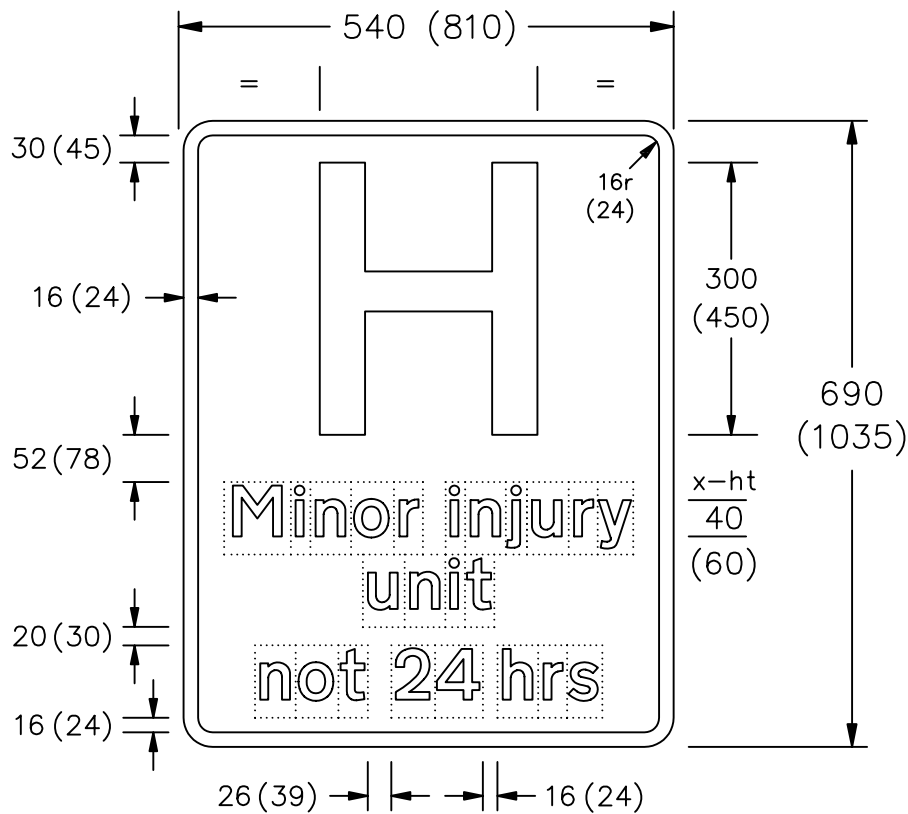
Before using this drawing, confirm that it has not been superseded.

© CROWN COPYRIGHT

NOTES: 1. The legend is from the Transport Medium alphabet at the x-heights shown.

2. The tile outlines do not form part of the signs.

3. COLOURS : Legend & Border ---- WHITE  
Background ----- RED  
'H' symbol ----- WHITE



VARIANT

P827x3

Issue B : 'not 24 hrs' dimensions amended

Department for  
**Transport**

Title: Informatory Signs  
HOSPITAL  
Minor injury unit

Issue: Date: Drawn by:  
A: 6.8.04 L.W.  
B: 16.8.04 Approved by:  
C: R.M.

Dimensions:  
MILLIMETRES

Drawing No.  
P 827.3