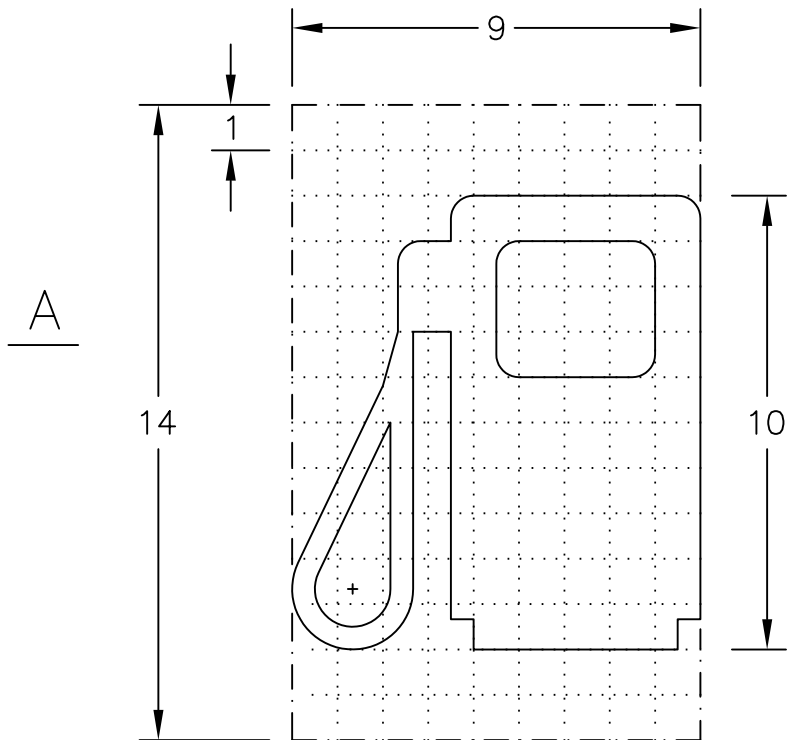
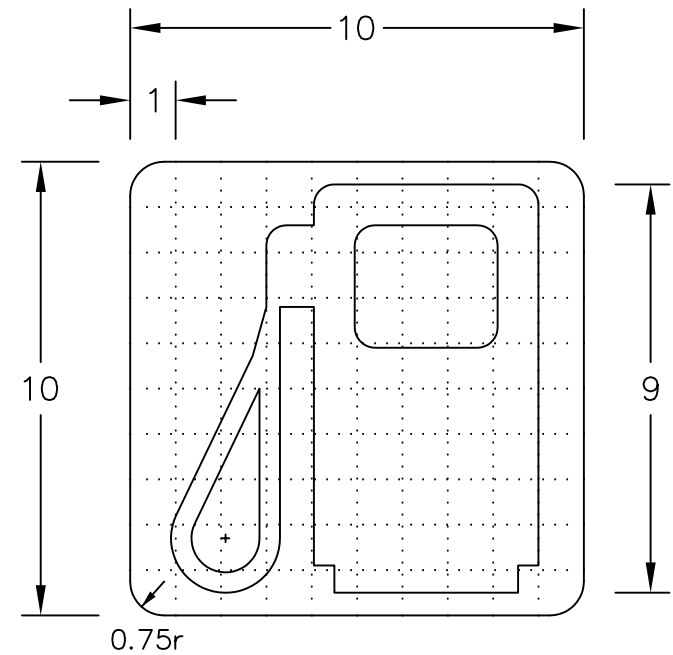


- NOTES: 1. The grids do not form part of any sign to which the symbols are applied.
 2. Dimensions are given in grid divisions, (normally equal to 1/4 x-height)
 3. See sheet 2 for the 'LPG' fuel symbol.
 4. COLOURS :-
 Symbol A – Petrol and/or Diesel : BLACK on white background signs, WHITE on blue background signs.
 Symbol B – Unleaded Petrol : GREEN on a white tile.



B

For use on a motorway service area sign which displays the price of unleaded petrol

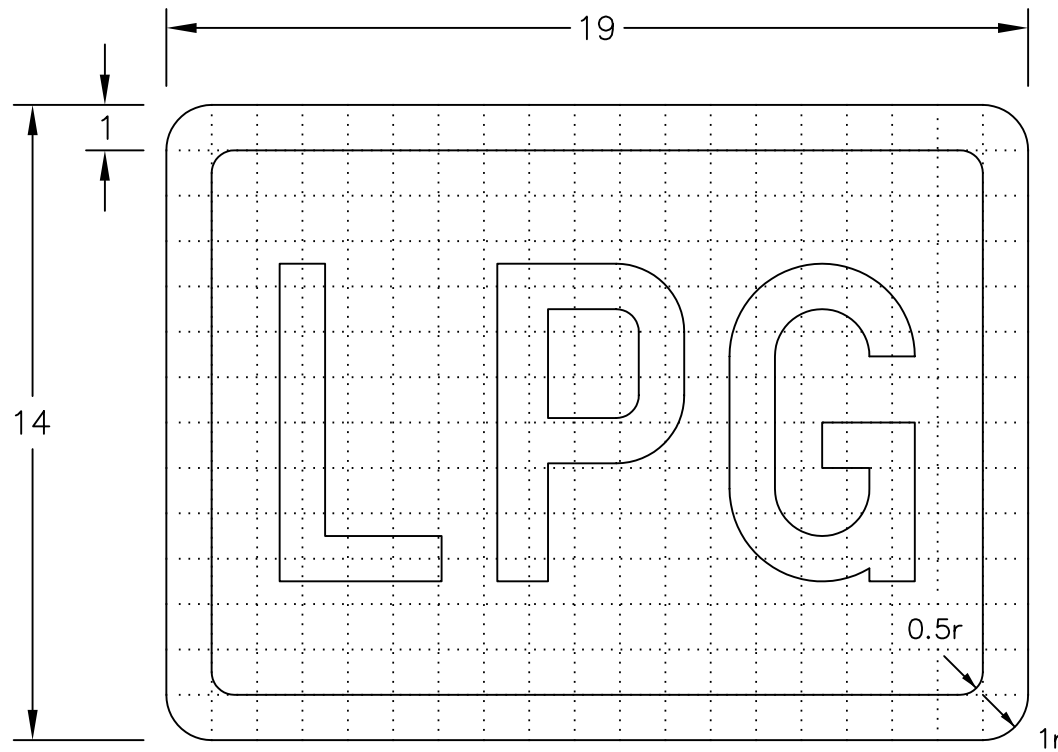


S47-1

Before using this drawing, confirm that it has not been superseded.

Department for <i>Transport</i>	Title:	Symbol	Issue:	Date:	Drawn by:	Dimensions:	Drawing No.
	PETROL and DIESEL		A:	18.2.94	R.M.	ALL IN GRID DIVISIONS	S 47 sheet 1 of 2
			B:	23.6.95	Approved by:		
			C:	5.11.02	R.M.		

- NOTES: 1. The grid does not form part of any sign to which the symbol is applied.
 2. Dimensions are given in grid divisions, (normally equal to 1/4 x-height)
 3. See sheet 1 for the petrol/diesel pump symbols.
 4. COLOURS :-
 BLACK 'LPG' & Border on white background signs, WHITE 'LPG' & Border on blue background signs.
 Symbol Background - Same colour as main sign



S47-2

Before using this drawing, confirm that it has not been superseded.

Department for Transport	Title:	Symbol	Issue:	Date:	Drawn by:	Dimensions:	Drawing No.
		LPG FUEL	A:	18.2.94	R.M.	ALL IN GRID DIVISIONS	S 47 sheet
			B:	23.6.95	Approved by:		2 of 2
			C:	5.11.02	R.M.		