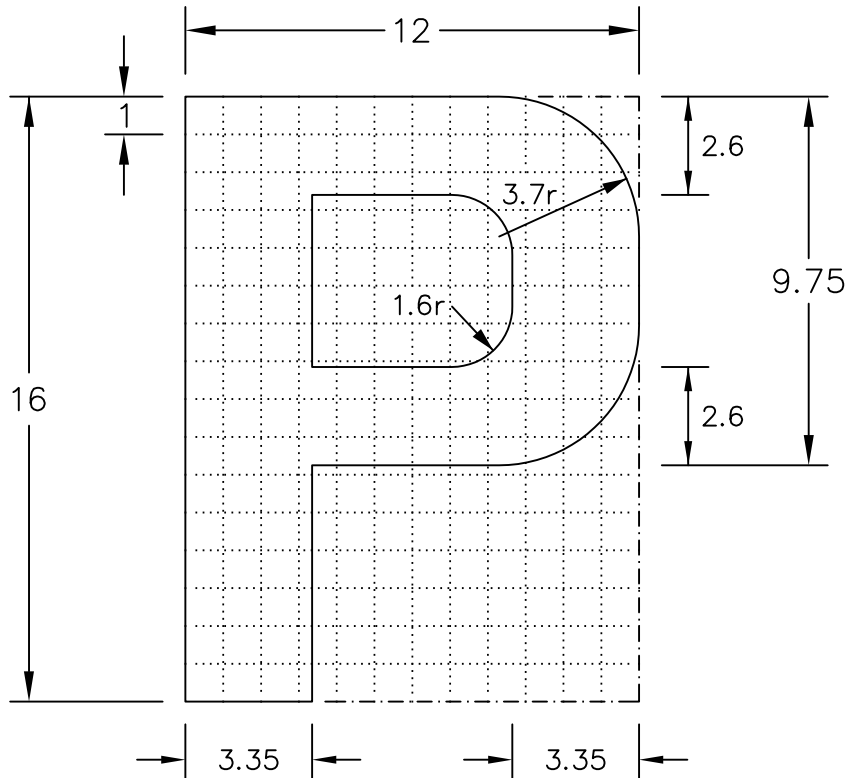
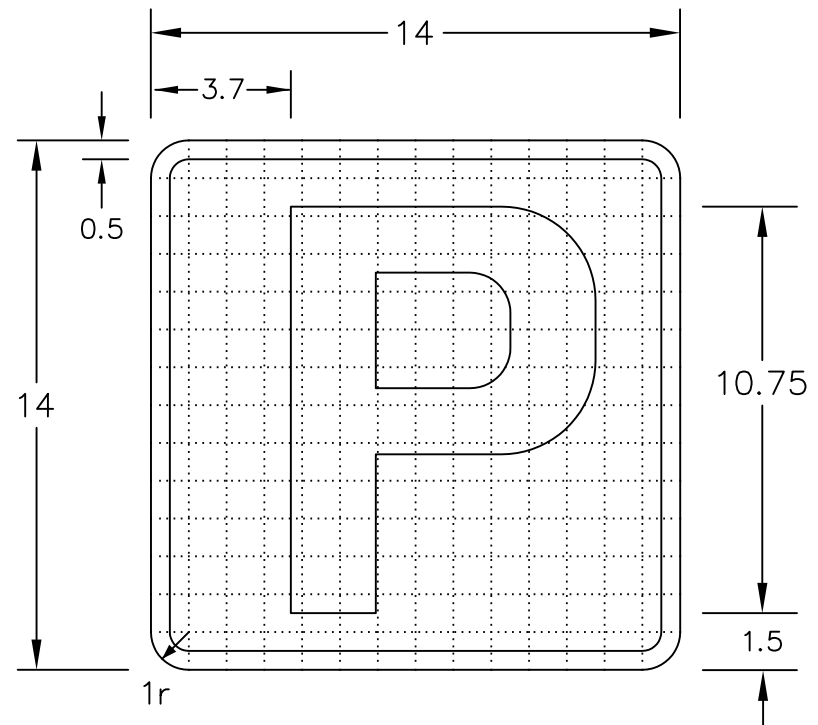


- NOTES: 1. The grids do not form part of any sign to which the symbols are applied.
2. Dimensions are given in grid divisions. The 'P' symbol on the tile has the same proportions as the symbol used on blue background signs and is reduced in size by the ratio of 10.75 to 16.
3. COLOURS : 'P' Symbol & Border --- WHITE; Tile Background --- BLUE

Symbol used on Blue background signs



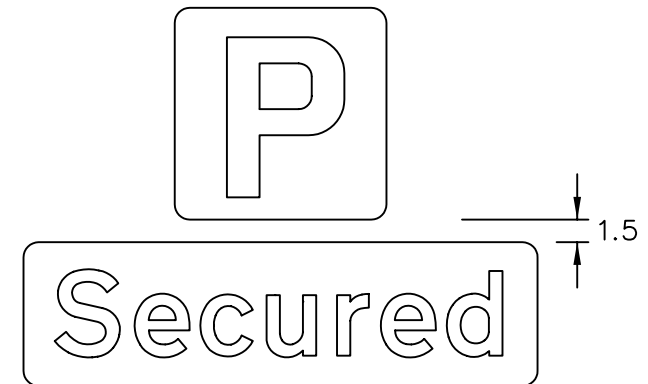
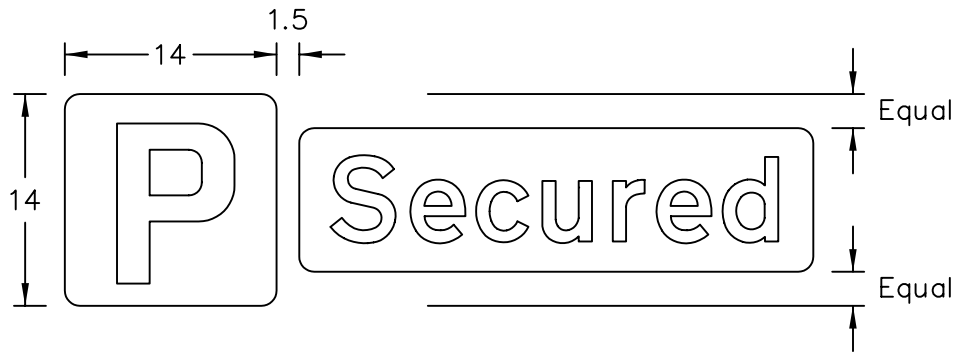
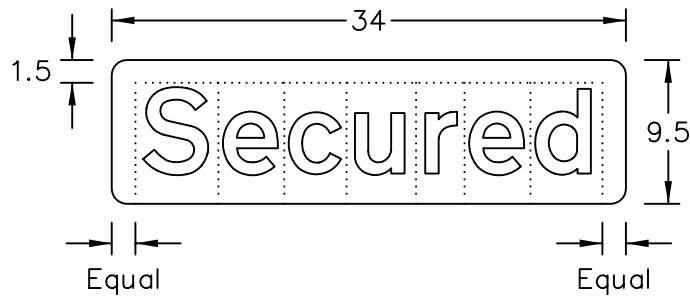
Tile used on Informatory & Directional signs



When placed on a white background the border is omitted but the tile and symbol remain the same size.

S43-1

- NOTES: 1. The legend is from the Transport Medium alphabet at the x-height of the sign on which the symbol is placed.
2. See sheet 1 for details of the 'P' symbol.
3. The tile outlines do not form part of the sign on which the symbol is placed.
4. DIMENSIONS: – All dimensions are in stroke widths relating to the x-height of the sign on which the symbol is placed.
(4sw = x-height)
5. COLOURS : 'P' Symbol and Legend ---- WHITE
Backgrounds ----- BLUE



ALTERNATIVE LAYOUT

S43-2

<i>Department for Transport</i>	Title:	Symbol	Issue:	Date:	Drawn by:	Dimensions:	Drawing No.
	SECURED PARKING PLACE		A:	17.2.94	R.M.	SEE NOTE 4	S 43 sheet 2 of 2
			B:	13.11.02	Approved by:		
			C:		R.M.		