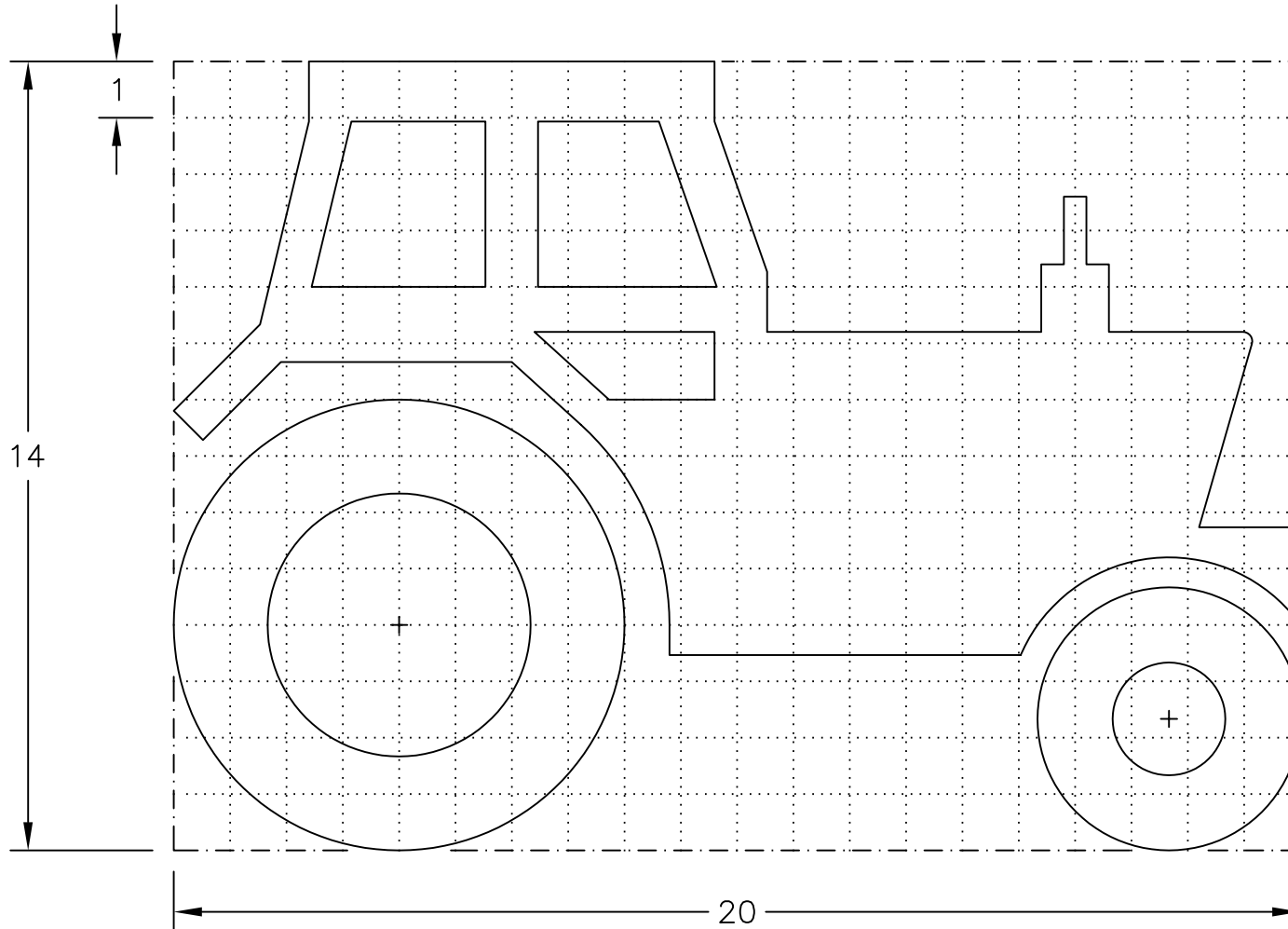


Drawing No.
S 28

© CROWN COPYRIGHT

- NOTES: 1. The grid does not form part of any sign to which the symbol is applied.
2. Dimensions are given in grid divisions.



S28

Before using this drawing, confirm that it has not been superseded.

<p><i>Department for</i> Transport</p>	Title:	Symbol	Issue:	Date:	Drawn by:	Dimensions:	Drawing No.
		FARM VEHICLE	A:	27.6.94	S.P.	ALL IN	S 28
			B:	12.11.02	Approved by:	GRID DIVISIONS	
			C:		R.M.		