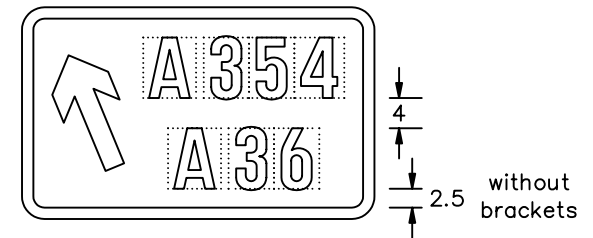
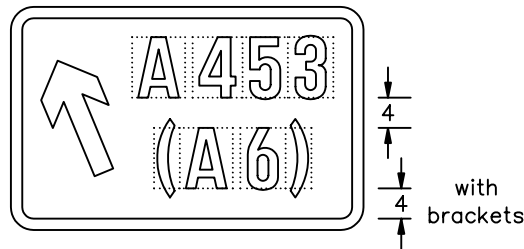
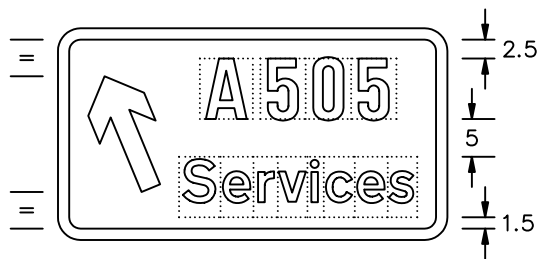
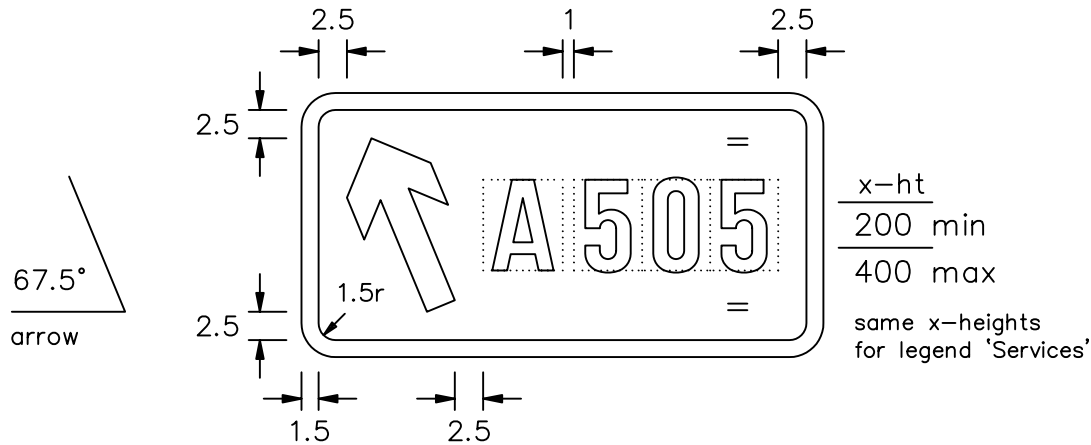


Drawing No.
P 2910

Before using this drawing, confirm that it has not been superseded.

© CROWN COPYRIGHT

- NOTES: 1. The legend 'Services' is from the Transport Medium alphabet and the route numbers from the Motorway alphabet at the x-heights shown.
2. The tile outlines do not form part of the signs.
3. COLOURS : Background ----- BLUE
Legend, Arrow & Border --- WHITE
4. DIMENSIONS : x-heights are in millimetres, other dimensions are in stroke widths. (4sw = x-height)



Arrow size : 16 x 8 stroke widths

P2910

Issue C : In upper drawing, 2.5sw dimension added top right

Department for
Transport

Title: Motorway Directional Signs
ROUTE NUMBER DIRECTION SIGN
INDICATING MOTORWAY EXIT ROAD

Issue: Date:
A: 15.7.94
B: 3.11.04
C: 12.7.05

Drawn by: S.P.
Approved by: R.M.

Dimensions:
SEE
NOTE 4

Drawing No.
P 2910