

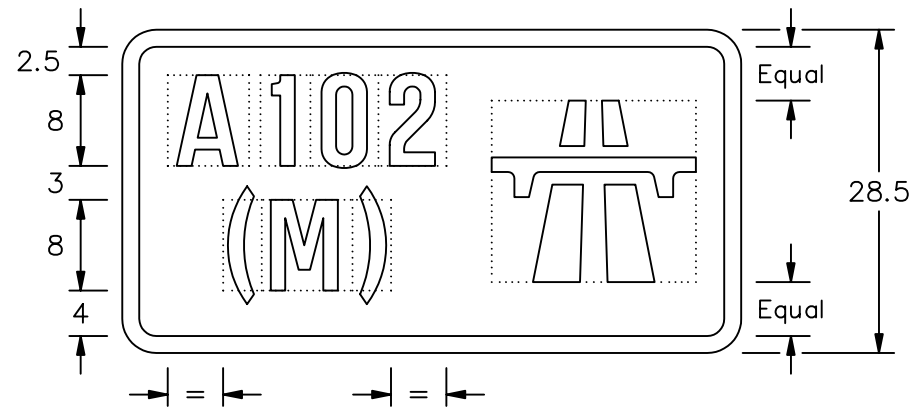
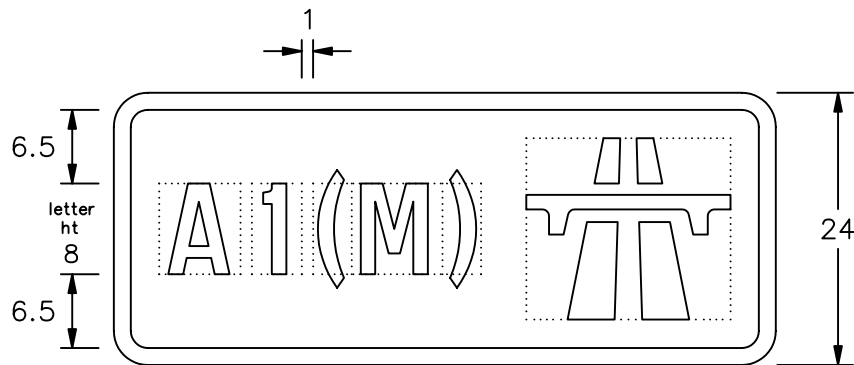
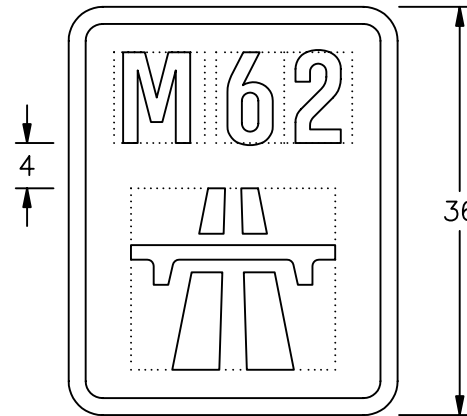
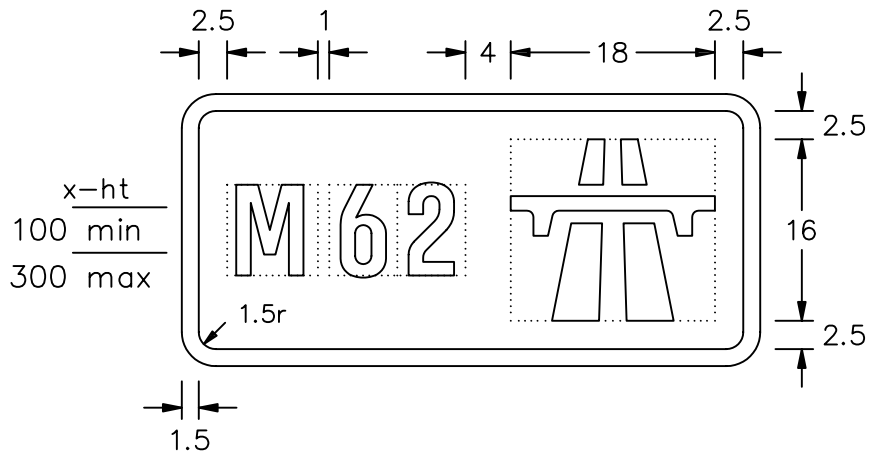
Drawing No.
P 2901

Related Drawing
S 55

Before using this drawing, confirm that it has not been superseded.

© CROWN COPYRIGHT

- NOTES:
1. The legend is from the Motorway alphabet at the x-heights shown.
 2. Details of the motorway symbol are given on drawing S 55.
 3. The tile outlines do not form part of the signs.
 4. COLOURS: -
Background ----- BLUE
Legend, Symbol & Border --- WHITE
 5. DIMENSIONS : x-heights are in millimetres, other dimensions are in stroke widths. (4sw = x-ht)



P2901

Department for
Transport

Title: Motorway Regulatory Signs
POINT AT WHICH MOTORWAY
REGULATIONS START TO APPLY

Issue: Date: Drawn by: Dimensions:
A: 6.7.94 S.P./R.M.
B: 3.11.04 Approved by:
C: R.M.

Dimensions:
SEE
NOTE 5

Drawing No.
P 2901