

Drawing No.
P 2713

Related Drawing
S 41

© CROWN COPYRIGHT

NOTES: 1. Symbol details are given on drawing S 41 (Tile A).

2. The tile outline does not form part of the signs.

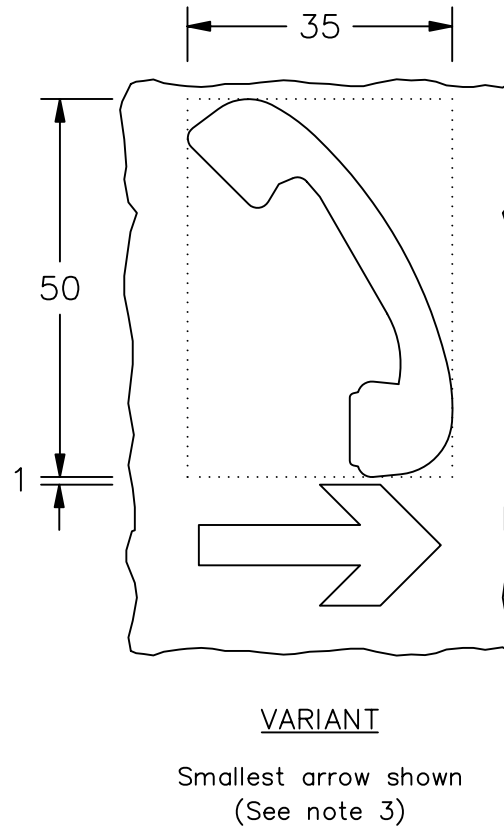
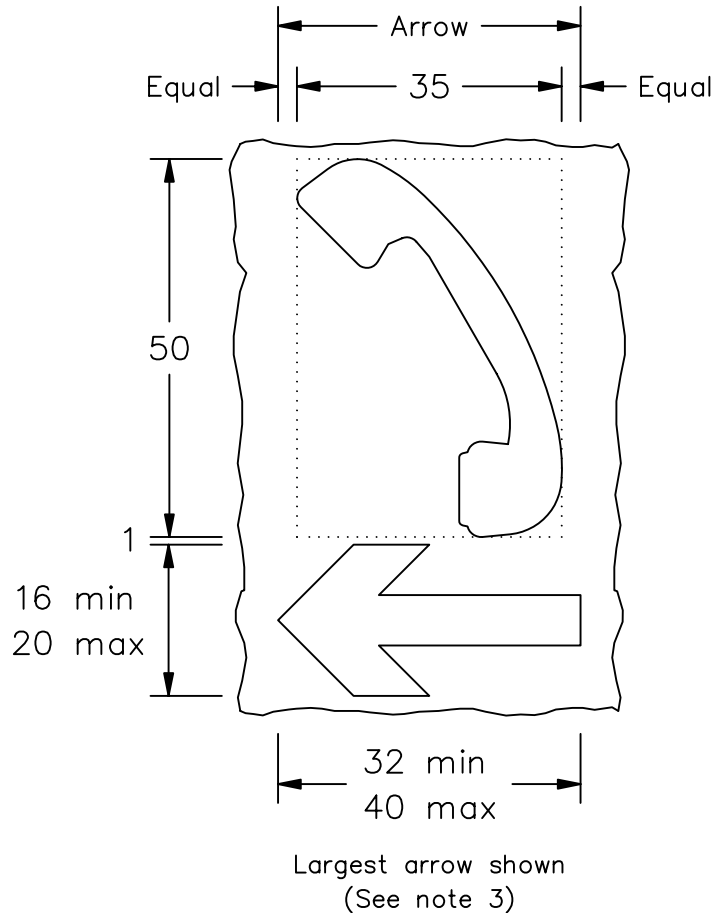
3. The proportions of the arrow remain the same when the length is varied within the range shown.

4. COLOURS: -

MOTORWAYS Background ----- WHITE
Symbol & Arrow ---- BLUE

PRIMARY ROUTES Background ----- WHITE
Symbol & Arrow ---- GREEN

NON-PRIMARY ROUTES Background ----- WHITE
Symbol & Arrow ---- BLACK



P2713

Before using this drawing, confirm that it has not been superseded.

Department for
Transport

Title: Emergency Signs
DIRECTION TO EMERGENCY TELEPHONE
ON SAME SIDE OF THE ROAD

Issue: Date: Drawn by:
A: 19.7.94 S.P./L.W.
B: 2.11.04 Approved by:
C: R.M.

Dimensions:
MILLIMETRES

Drawing No.
P 2713