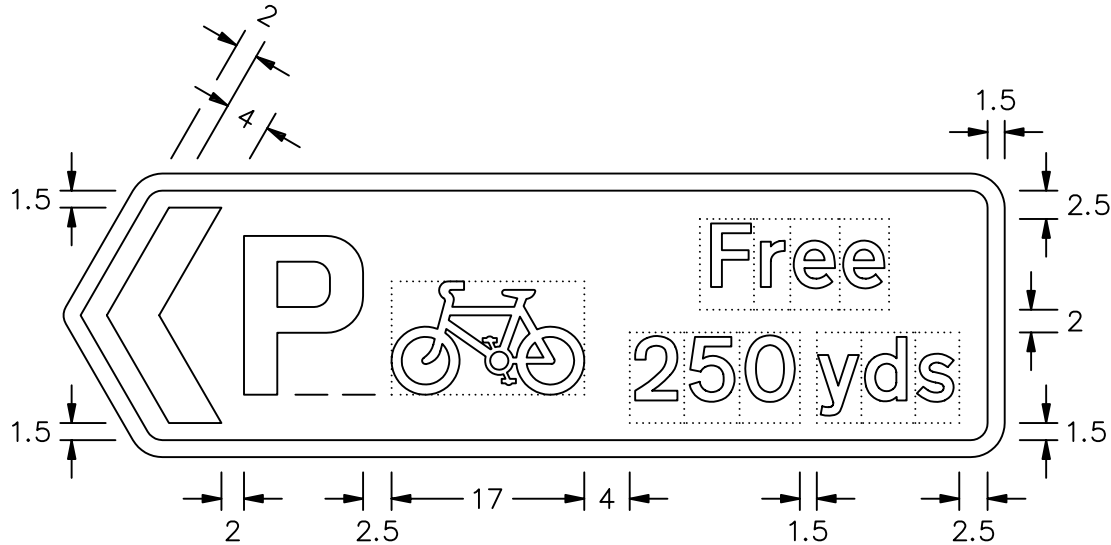


Drawing No.
P 2604

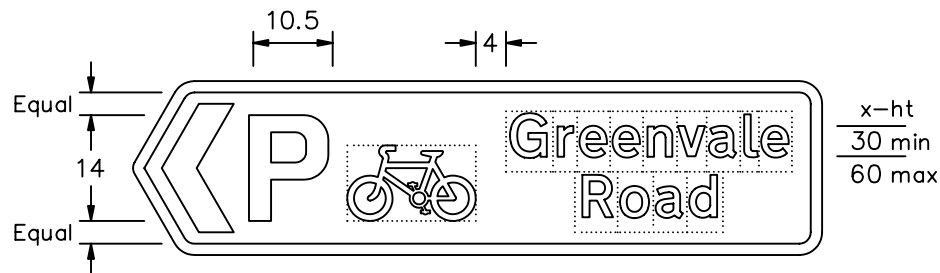
Related Drawings
S 24 & S 43

Before using this drawing, confirm that it has not been superseded.

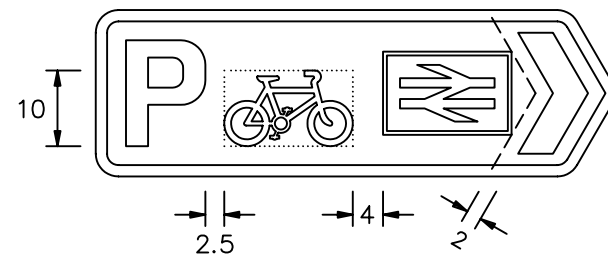
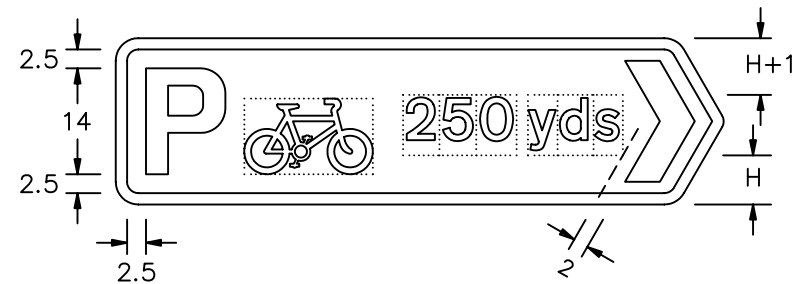
© CROWN COPYRIGHT



Special spacing rule for chevron applies only to 'P' symbol



- NOTES:
- The legends are from the Transport Medium alphabet at the x-heights shown.
 - Cycle symbol details are given on drawing S 24 and 'P' symbol details on drawing S 43. See the 'S' series of drawings for other symbols.
 - The tile outlines do not form part of the signs.
 - COLOURS : Background ----- BLUE
Legend, Chevron & Border --- WHITE
'P' and Cycle symbols ----- WHITE
 - DIMENSIONS : x-heights are in millimetres, other dimensions are in stroke widths. (4sw = x-height)
 - See chapter 7 of the Traffic signs Manual for further design guidance.



P2604

Department for
Transport

Title: Directional Signs for Cyclists
DIRECTION TO PARKING PLACE
FOR PEDAL CYCLES

Issue: Date: Drawn by: Dimensions:
A: 15.7.94 S.P./L.W. SEE
B: 21.2.95 Approved by: NOTE 5
C: 11.11.04 R.M.

Drawing No.
P 2604