

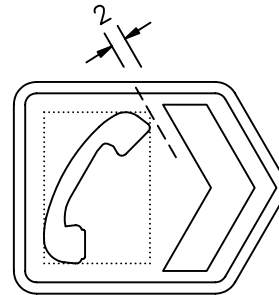
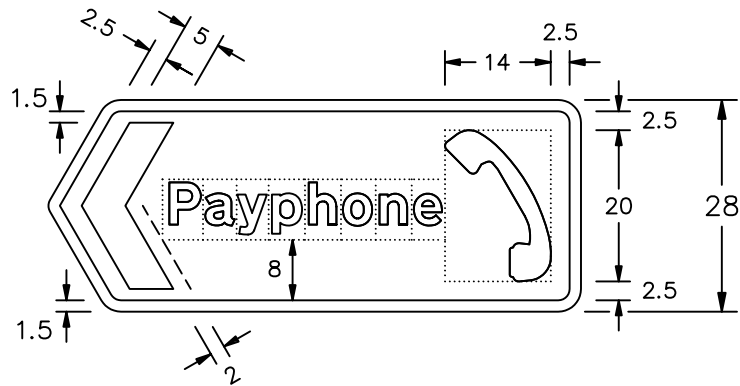
Drawing No.
P 2322

Related Drawing
S 41

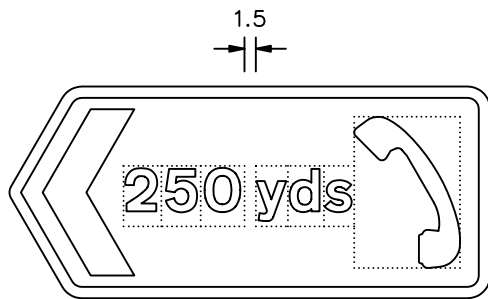
Before using this drawing, confirm that it has not been superseded.

© CROWN COPYRIGHT

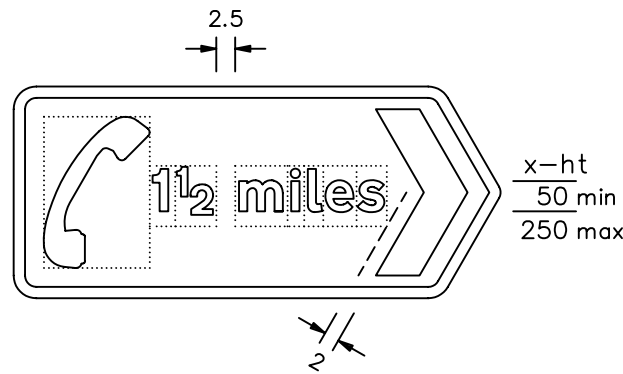
- NOTES: 1. The legend is from the Transport Heavy alphabet at the x-heights shown.
2. Symbol details are given on drawing S 41 (Tile A).
3. The tile outlines do not form part of the signs.
4. COLOURS : Background ----- WHITE
Legend & Border ----- BLACK
Symbol & Chevron ----- BLACK
5. DIMENSIONS : x-heights are in millimetres, other dimensions are in stroke widths. (4sw = x-height)
6. See Chapter 7 of the Traffic Signs Manual for further design guidance.



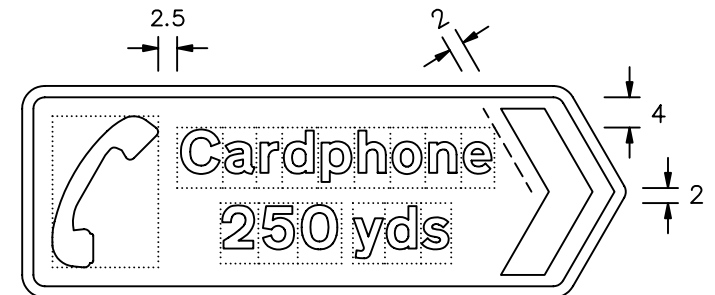
VARIANT



VARIANT



VARIANT



VARIANTS

P2322

Department for
Transport

Title: Services and Tourist Facility Signs
DIRECTION TO A PUBLIC
TELEPHONE

Issue: Date :
A: 19.5.95
B: 27.10.04
C:
Drawn by :
L.W.
Approved by :
R.M.

Dimensions:
SEE
NOTE 5

Drawing No.
P 2322