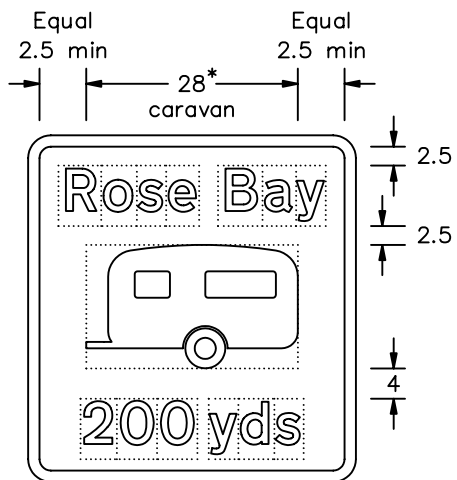
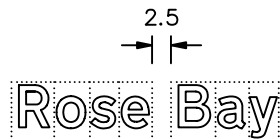
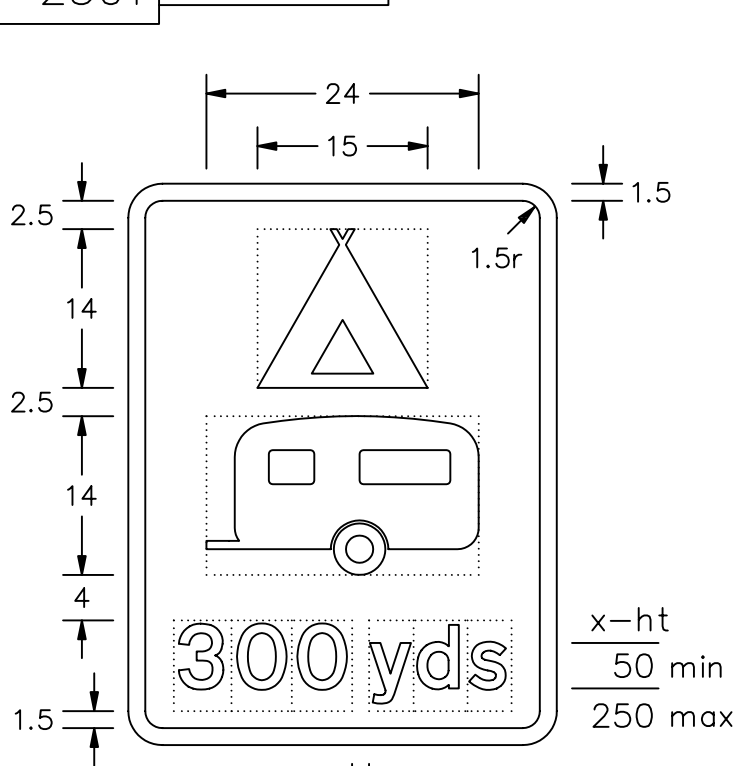


Drawing No.  
P 2301

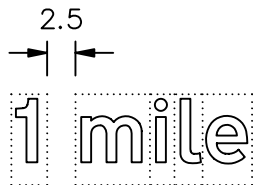
Related Drawings  
T 6 & T 7

Before using this drawing, confirm that it has not been superseded.

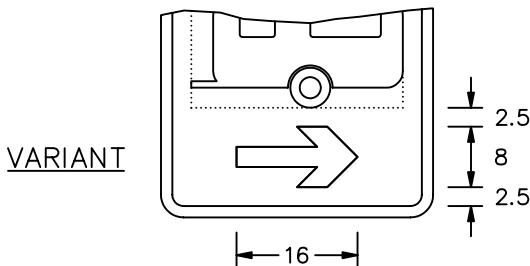
© CROWN COPYRIGHT



VARIANT



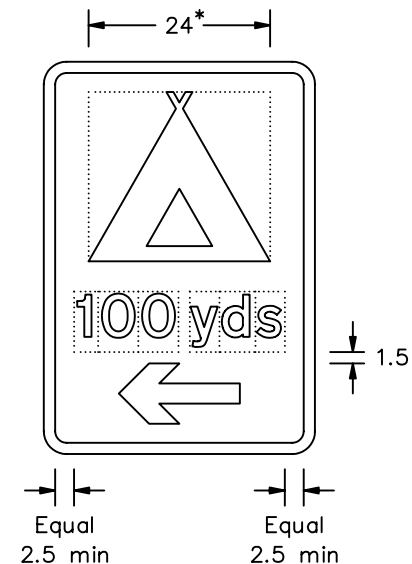
Distance expressed in miles



VARIANT

- NOTES: 1. The legend is from the Transport Medium alphabet at the x-heights shown.
2. Symbol details are given on drawings T 6 and T 7. Note that larger sizes are used when only one symbol is shown on the sign. The caravan symbol is non-directional and should not be reversed when the arrow points to the right.
3. The tile outlines do not form part of the signs.
4. COLOURS : Background ----- BROWN  
Legend & Border --- WHITE  
Symbols & Arrow --- WHITE
5. DIMENSIONS : x-heights are in millimetres, other dimensions are in stroke widths. (4sw = x-height)

\*See note 2



VARIANT

P2301

Department for  
**Transport**

Title: Tourist Facility Signs  
DISTANCE AHEAD TO A CAMPING  
& CARAVAN SITE (and variants)

Issue: Date: Drawn by:  
A: 2.5.95 S.P.  
B: 14.10.04 Approved by:  
C: R.M.

Dimensions:  
SEE  
NOTE 5

Drawing No.  
P 2301