

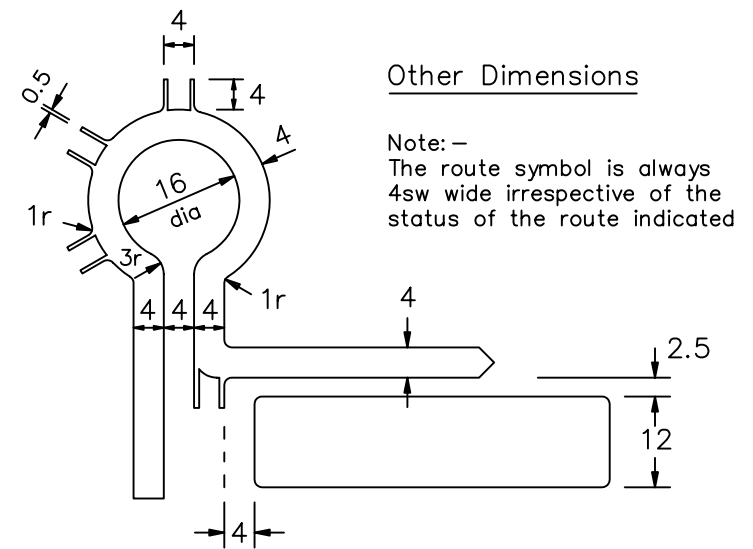
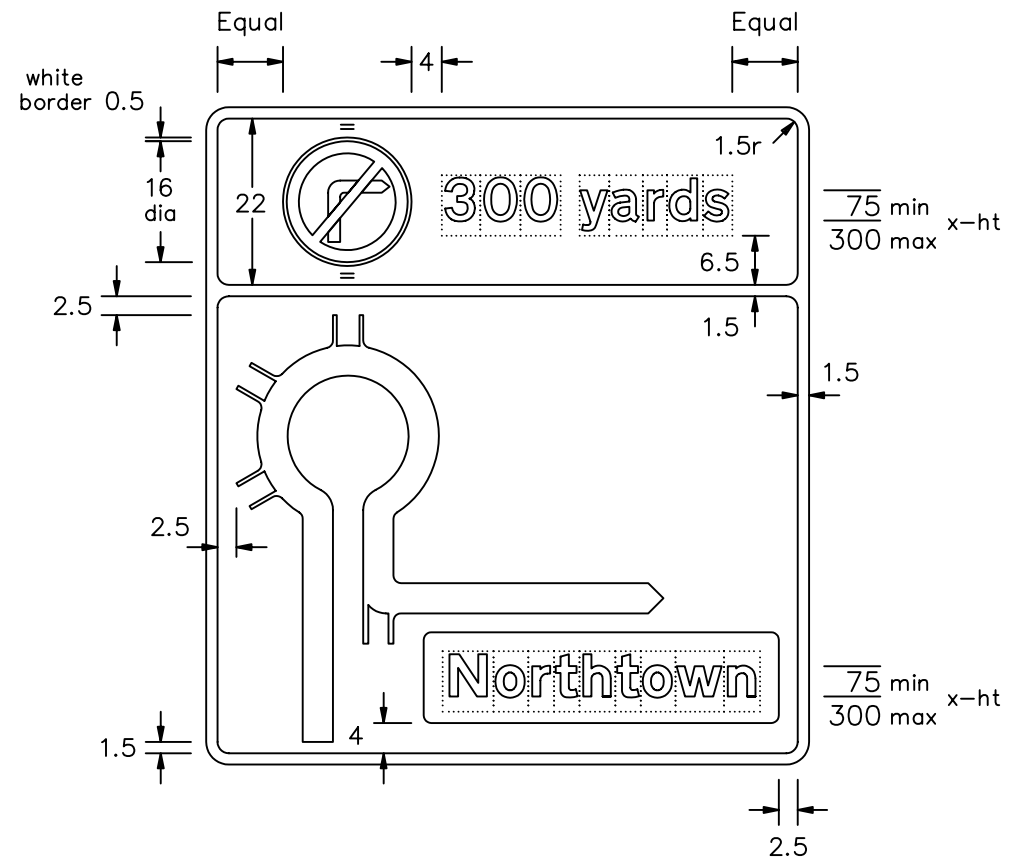
Drawing No.
P 2010.1

Related drawing
P 612

Before using this drawing, confirm that it has not been superseded.

© CROWN COPYRIGHT

- NOTES: 1. The legend is from the Transport Medium alphabet on the top panel and the Transport Heavy alphabet on the 'Northtown' panel at the x-heights shown.
2. The tile outlines do not form part of the sign.
3. The roundel is proportional to the one shown on drawing P 612 and may be varied to one shown on drawing P 613 or P 614.
4. COLOURS : Top Sign Panel Background ----- BLUE
 " " " Legend ----- WHITE
 Bottom Sign Panel Background ---- GREEN
 'Northtown' Panel Legend ----- BLACK
 " " Background ----- WHITE
 Route Symbol & Borders ----- WHITE
 Prohibitory roundel as shown on P 612 with added WHITE border
5. DIMENSIONS : x-heights are in millimetres, other dimensions are in stroke widths. (4sw = x-height)



This drawing should be used in conjunction with the Traffic Signs Manual Chapter 7

P2010x1

**Department for
Transport**

Title: Primary Route Directional Sign
 DISTANCE TO PROHIBITED MOVEMENT
 AND DIRECTION TO DESTINATION

Issue: Date :
 A: 23.2.04
 B:
 C:

Drawn by :
 L.W.
 Approved by :
 R.M.

Dimensions:
 SEE
 NOTE 5

Drawing No.
 P 2010.1