

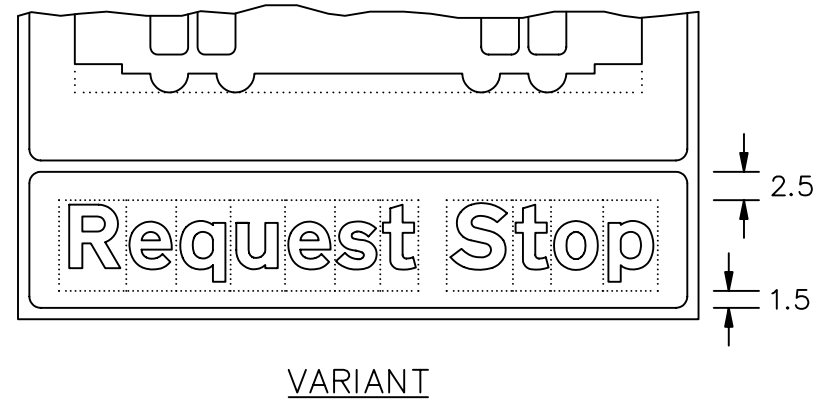
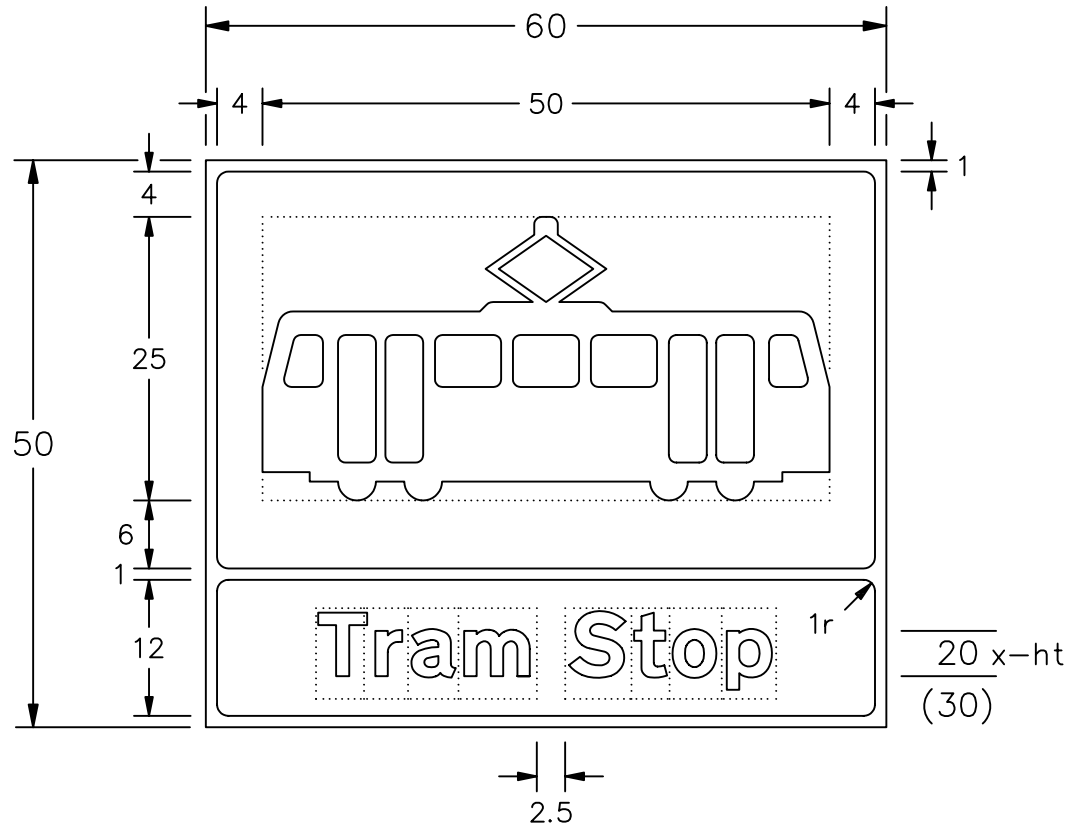
Drawing No.  
P 971

Related Drawing  
S 26

Before using this drawing, confirm that it has not been superseded.

© CROWN COPYRIGHT

- NOTES: 1. The sign illustrated uses legend from the Transport Heavy alphabet at the x-heights shown. The legend may be in any style of lettering.
2. Tram symbol details are given on drawing S 26.
3. The tile outlines do not form part of the signs.
4. COLOURS : Background ----- WHITE  
Legend, Symbol & Border ---- BLACK
5. DIMENSIONS : x-heights are in millimetres, other dimensions are in stroke widths. (4sw = x-height)
6. The sign face may be curved.



P971

Department for  
**Transport**

Title: Informatory Signs  
TRAM STOP

Issue: Date: Drawn by: Dimensions:  
A: 11.7.94 S.P.  
B: 15.11.04 Approved by: R.M.  
C:

SEE  
NOTE 5

Drawing No.  
P 971