

Drawing No.
P 968

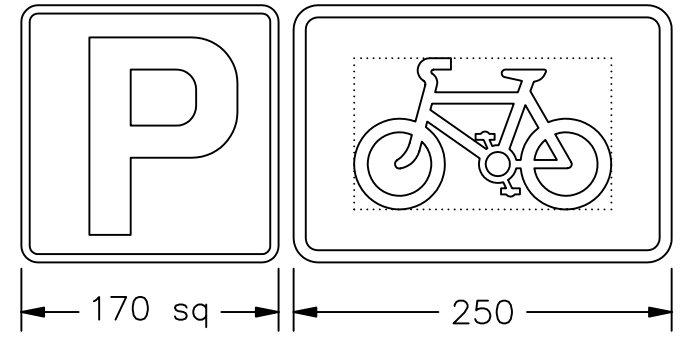
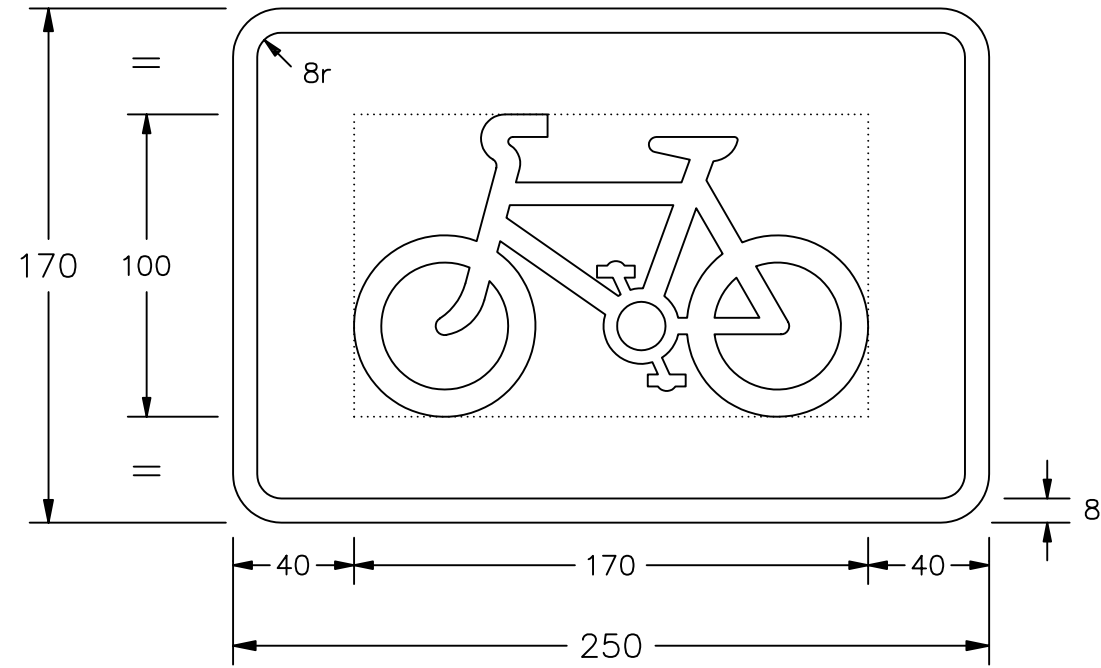
Related Drawings
S 24 & P 801

© CROWN COPYRIGHT

- NOTES: 1. The sign uses the parking sign shown on drawing P 801 but at 170mm square, retaining the same proportions.
2. Cycle symbol details are given on drawing S 24.
3. The tile outlines do not form part of the sign.
4. COLOURS: –
- 'P' Sign Background ----- BLUE
 - Symbol & Border ---- WHITE

 - Cycle Plate Background ----- WHITE
 - Symbol & Border ---- BLACK

This plate is used with P 801 to create the sign



P968

Before using this drawing, confirm that it has not been superseded.

Department for Transport	Title:	Informatory Sign	Issue:	Date:	Drawn by:	Dimensions:	Drawing No.
	PARKING PLACE FOR PEDAL CYCLES	A: 8.7.94 B: 31.8.04 C:	S.P. Approved by: R.M.	MILLIMETRES	P 968		