

Drawing No.  
P 968.1

Related Drawings  
S 24 & P 801

Before using this drawing, confirm  
that it has not been superseded.

© CROWN COPYRIGHT

NOTES: 1. The sign uses the 250mm size of parking sign shown  
on drawing P 801.

2. Cycle symbol details are given on drawing S 24.

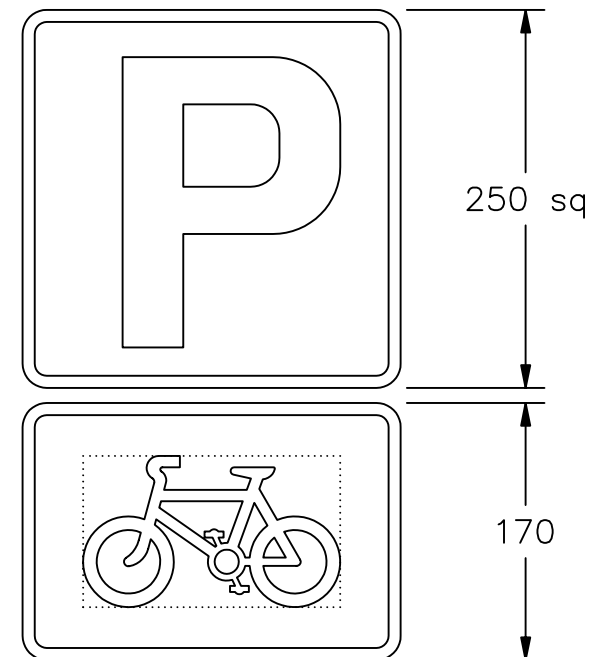
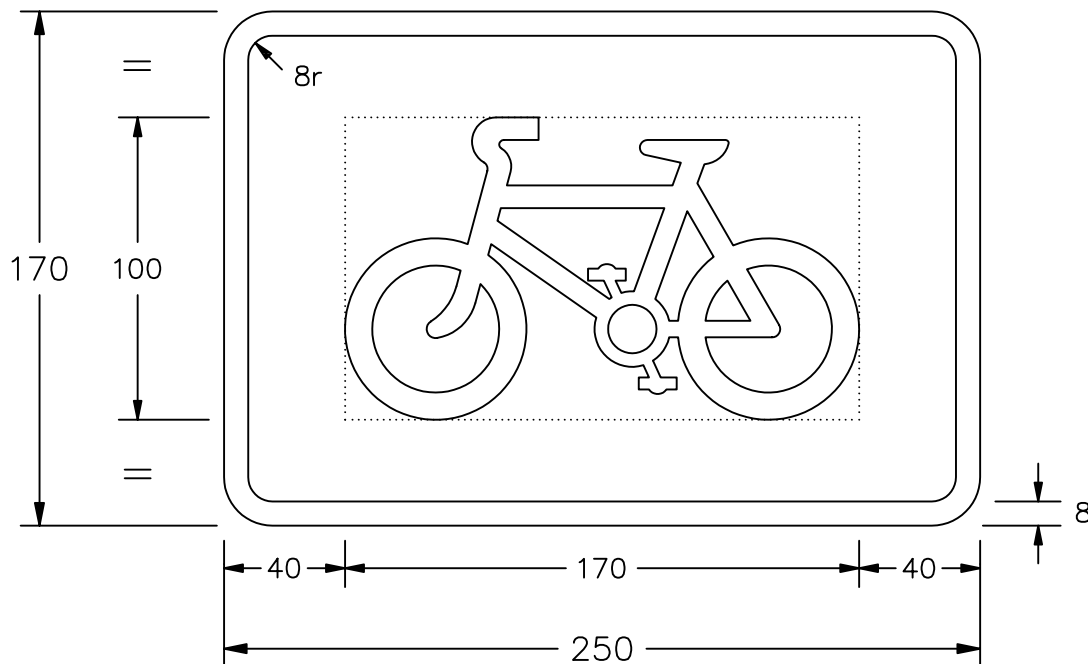
3. The tile outlines do not form part of the sign.

4. COLOURS:-

'P' Sign Background ----- BLUE  
Symbol & Border ---- WHITE

Cycle Plate Background ----- WHITE  
Symbol & Border ---- BLACK

This plate is used with P 801 to create the sign



P968x1

Department for  
**Transport**

Title: Informatory Sign  
PARKING PLACE  
FOR PEDAL CYCLES

Issue: Date :  
A: 8.7.94  
B: 31.8.04  
C:

Drawn by :  
S.P.  
Approved by :  
R.M.

Dimensions:  
MILLIMETRES

Drawing No.  
P 968.1