

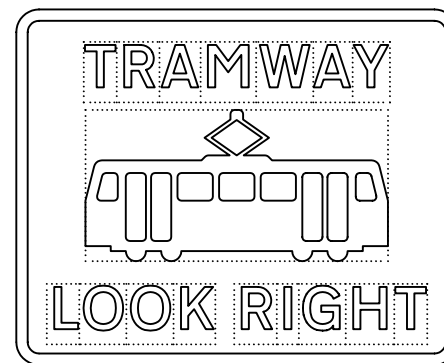
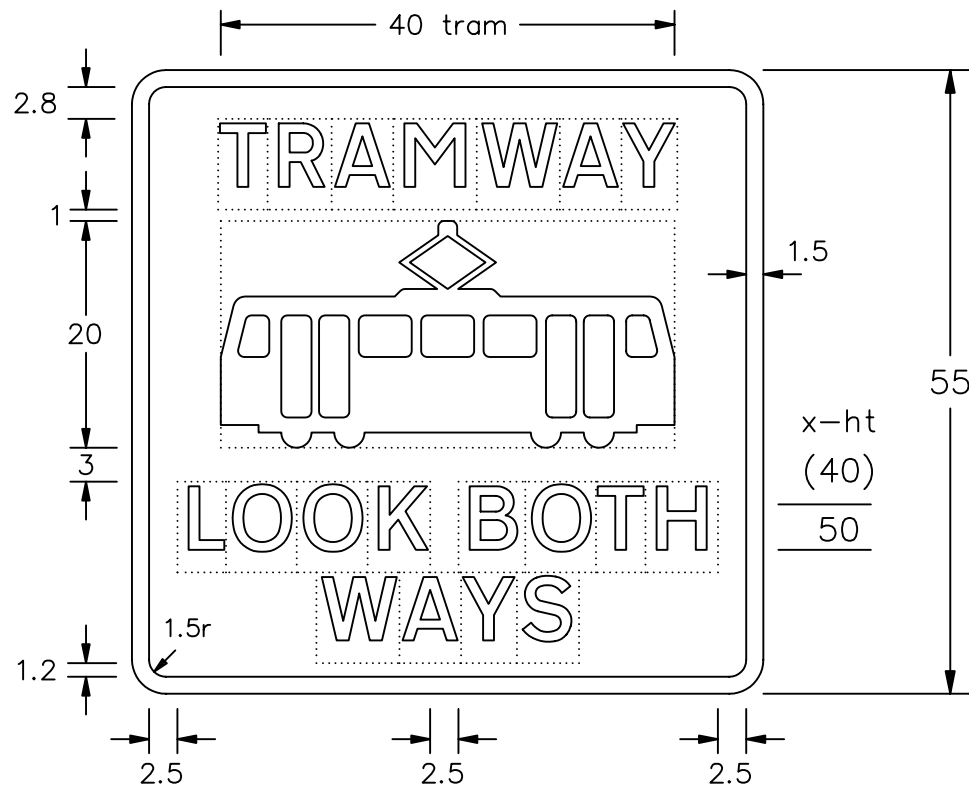
Drawing No.
P 963.3

Related Drawing
S 26

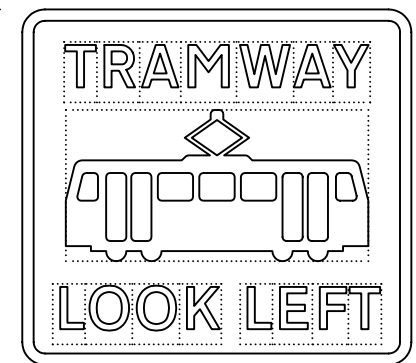
Before using this drawing, confirm that it has not been superseded.

© CROWN COPYRIGHT

- NOTES: 1. The legend is from the Transport Medium alphabet at the x-heights shown.
2. Symbol details are given on drawing S 26.
3. The tile outlines do not form part of the signs.
4. COLOURS : Background ----- BLUE
Legend, Symbol & Border --- WHITE
5. DIMENSIONS : x-heights are in millimetres, other dimensions are in stroke widths. (4sw = x-height)



VARIANT



VARIANT

P963x3

Department for
Transport

Title: Informatory Signs
PEDESTRIAN SIGNS
INDICATING TRAMWAYS

Issue: Date: Drawn by:
A: 16.9.94 S.P.
B: 7.9.04 Approved by:
C: R.M.

Dimensions:
SEE
NOTE 5

Drawing No.
P 963.3