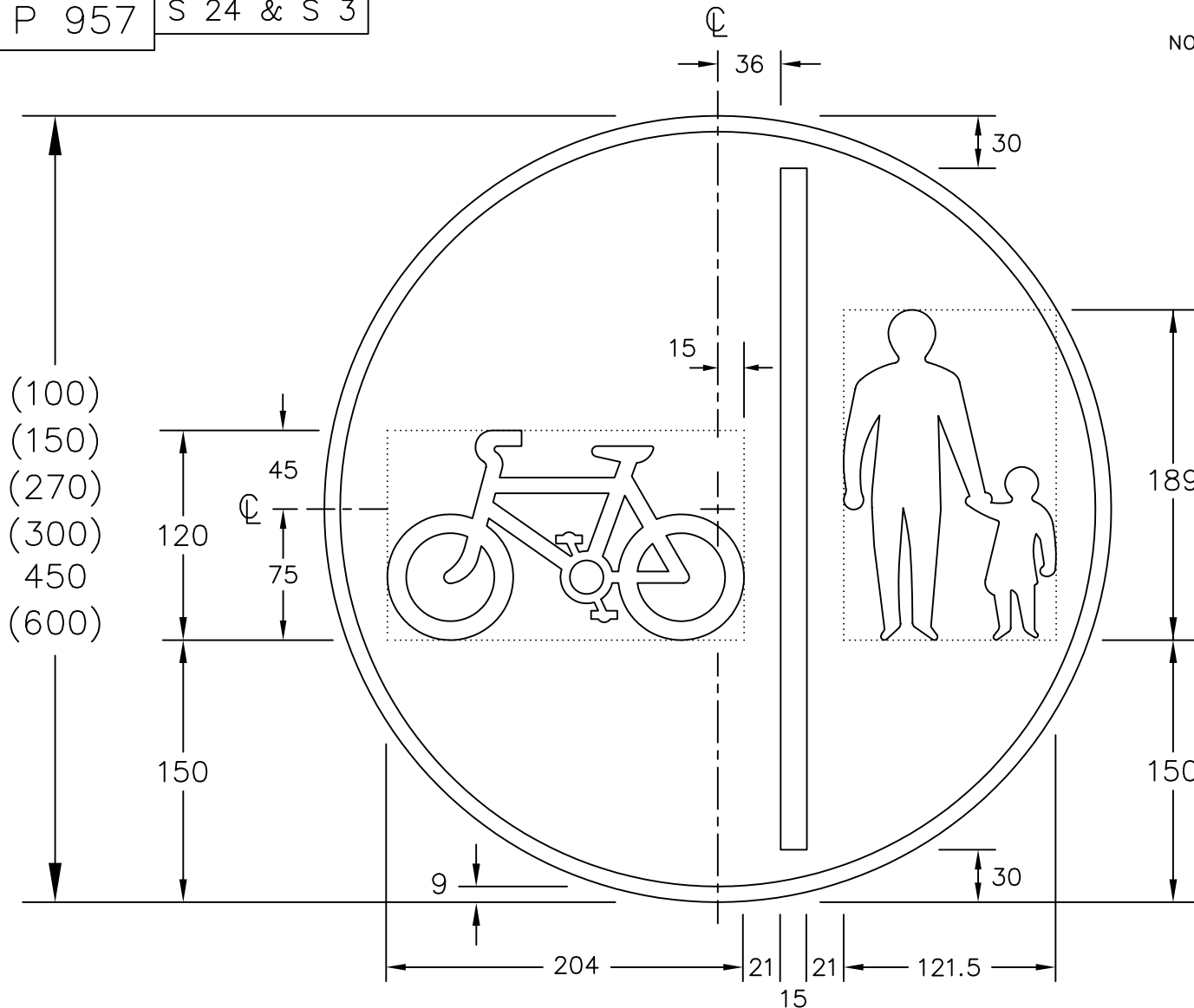


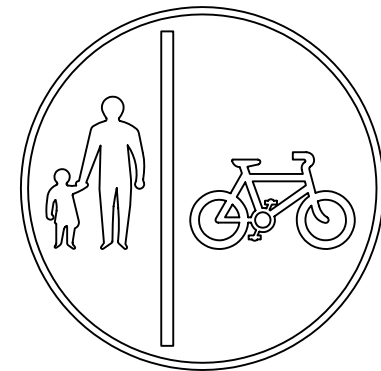
Drawing No.
P 957

Related Drawings
S 24 & S 3

© CROWN COPYRIGHT



- NOTES:
1. All 450mm dia sign dimensions shall be varied proportionally for the other roundel sizes.
 2. The 270mm dia sign is for use in an internally illuminated bollard.
 3. Cycle and pedestrian symbol details are given on drawings S 24 and S 3 respectively.
 4. The tile outlines do not form part of the sign.
 5. COLOURS : Background ----- BLUE
Border & Symbols ---- WHITE



THE SIGN MAY BE VARIED
TO A MIRROR IMAGE

P957

Before using this drawing, confirm that it has not been superseded.

**Department for
Transport**

Title: Regulatory Sign
ROUTE FOR USE BY PEDAL CYCLES
& PEDESTRIANS ONLY (segregated)

Issue: Date: Drawn by:
A: 6.7.94 S.P.
B: 12.8.04 Approved by:
C: R.M.

Dimensions:
MILLIMETRES

Drawing No.
P 957