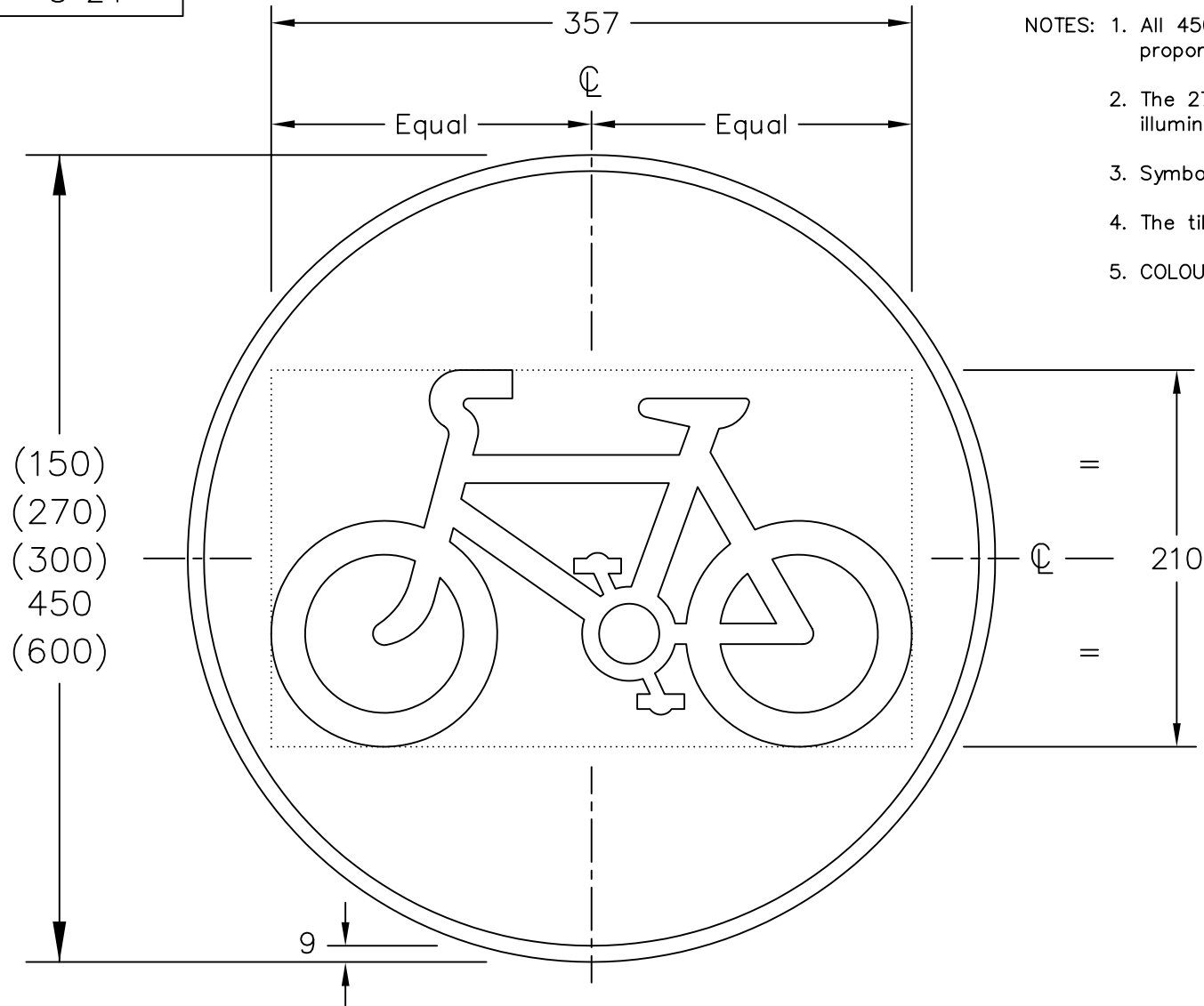


Drawing No.
P 955

Related Drawing
S 24

© CROWN COPYRIGHT



- NOTES:
1. All 450mm dia sign dimensions shall be varied proportionally for the other roundel sizes.
 2. The 270mm dia sign is for use in an internally illuminated bollard.
 3. Symbol details are given on drawing S 24.
 4. The tile outline does not form part of the sign.
 5. COLOURS : Background ----- BLUE
Border & Symbol --- WHITE

P955

Before using this drawing, confirm that it has not been superseded.

Department for
Transport

Title: Regulatory Sign
ROUTE FOR USE BY
PEDAL CYCLES ONLY

Issue: Date: Drawn by:
A: 6.7.94 S.P.
B: 4.8.04 Approved by:
C: R.M.

Dimensions:
MILLIMETRES

Drawing No.
P 955