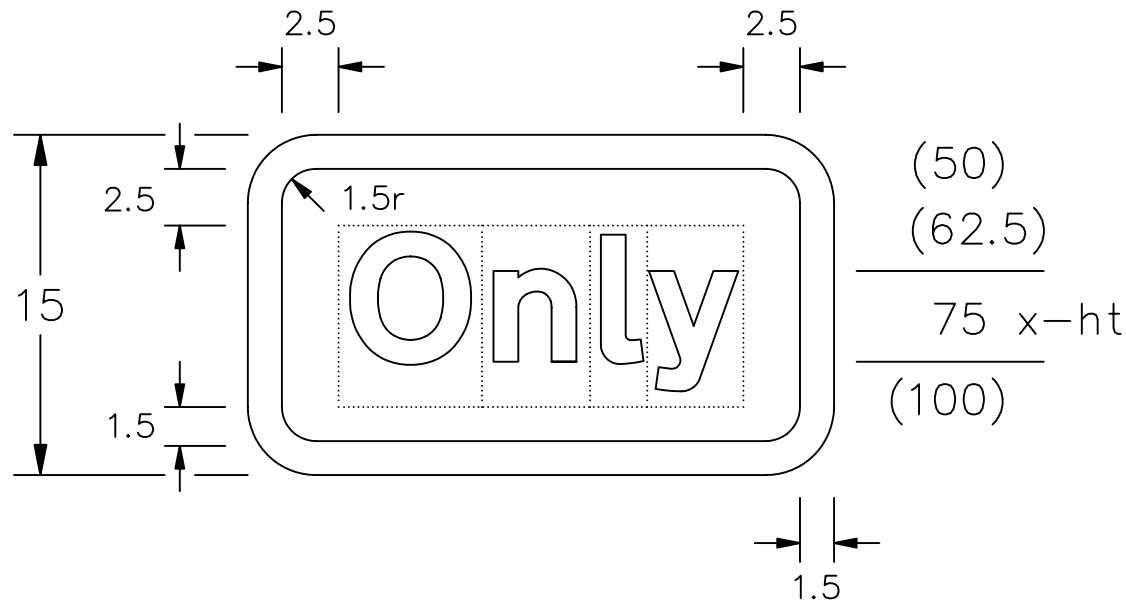


Drawing No.
P 953.2

© CROWN COPYRIGHT

- NOTES: 1. The legend is from the Transport Heavy alphabet at the x-heights shown.
2. The tile outlines do not form part of the sign.
3. COLOURS : Background ----- WHITE
Legend & Border ---- BLACK
4. DIMENSIONS : x-heights are in millimetres, other dimensions are in stroke widths. (4sw = x-height)



P953x2

Before using this drawing, confirm that it has not been superseded.

**Department for
Transport**

Title: Regulatory Sign
SUPPLEMENTARY PLATE
FOR USE WITH P 953 & P 953.1

Issue: Date: Drawn by: Dimensions:
A: 2.8.95 S.P.
B: 8.7.04 Approved by:
C: R.M.

Dimensions:
SEE
NOTE 4

Drawing No.
P 953.2