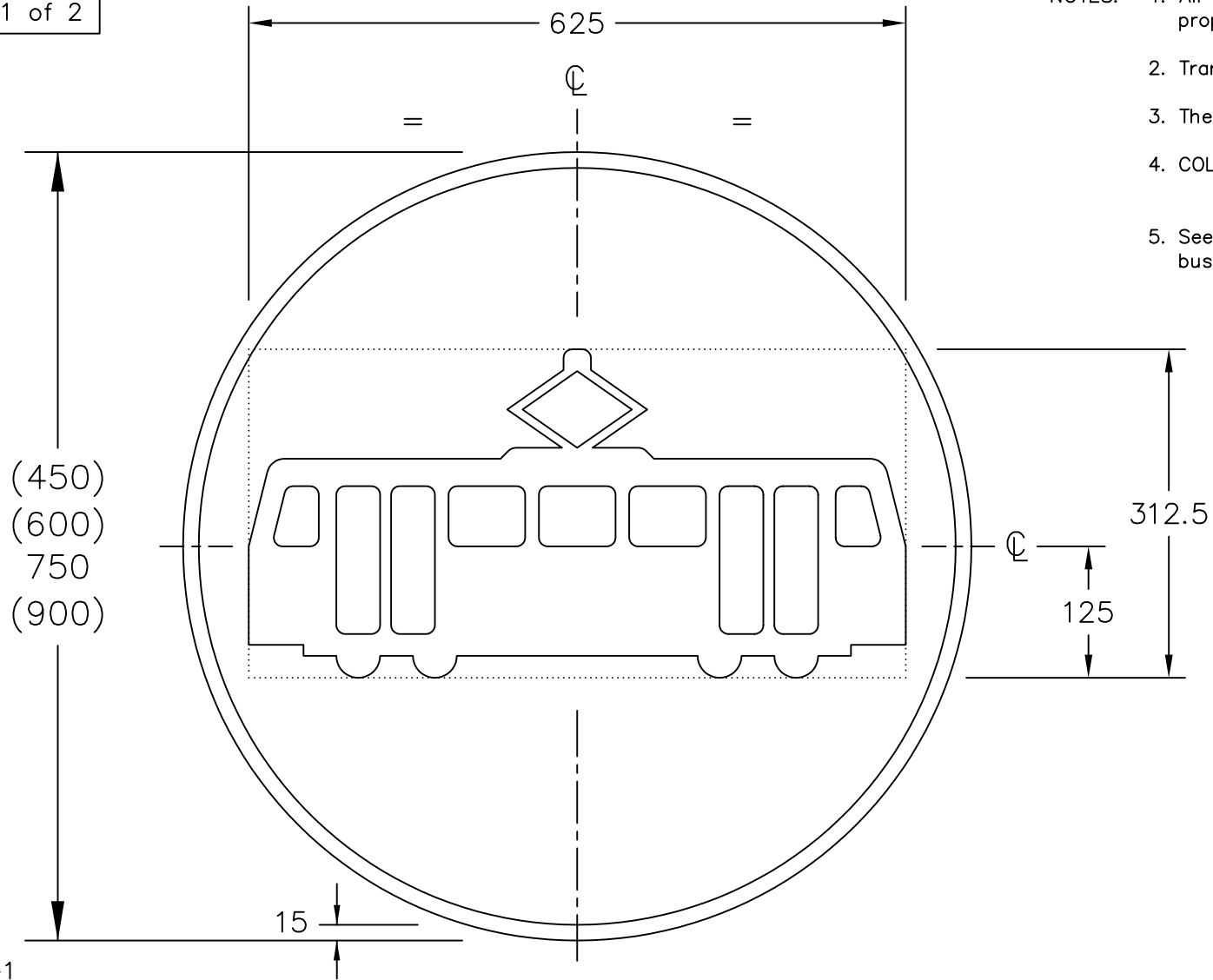


Drawing No.
P 953.1
 Sheet 1 of 2

Related Drawing
S 26

© CROWN COPYRIGHT

- NOTES:—
1. All 750mm dia sign dimensions shall be varied proportionally for the other roundel sizes.
 2. Tram symbol details are given on drawing S 26.
 3. The tile outline does not form part of the sign.
 4. COLOURS : Background ----- BLUE
 Border & Symbol ---- WHITE
 5. See sheet 2 for variant showing both tram and bus symbol.



P953x1-1

Before using this drawing, confirm that it has not been superseded.

**Department for
 Transport**

Title: Regulatory Sign
ROUTE FOR TRAMS ONLY

Issue: A: 6.7.94
 B: 8.7.04
 C:

Date: S.P.
 Approved by: R.M.

Dimensions: MILLIMETRES

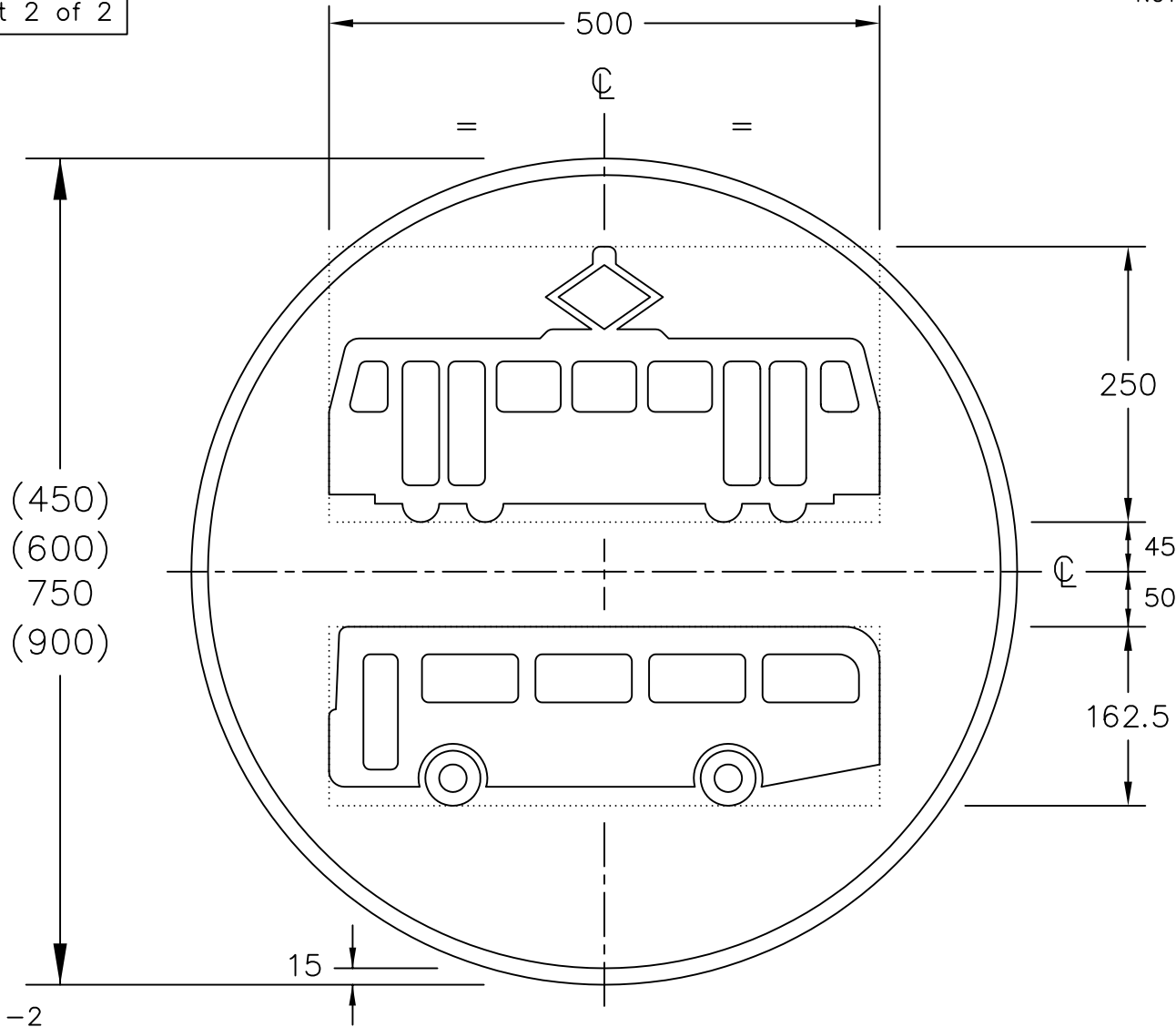
Drawing No. **P 953.1**
 Sheet 1 of 2

Drawing No.
P 953.1
 Sheet 2 of 2

Related Drawings
 S 26 & S 25 Sheets 1 & 2

© CROWN COPYRIGHT

- NOTES: -
- All 750mm dia sign dimensions shall be varied proportionally for the other roundel sizes.
 - Tram and bus symbol details are given on drawings S 26 and S 25 sheet 1 respectively.
 - The tile outlines do not form part of the sign.
 - VARIANTS : The bus symbol may be varied to the 'local bus' symbol shown on drawing S 25 sheet 2.
 - COLOURS : Background ----- BLUE
 Border & Symbols --- WHITE
 - See sheet 1 for tram only sign.



P953x1-2

Before using this drawing, confirm that it has not been superseded.

**Department for
 Transport**

Title: Regulatory Sign
**ROUTE FOR TRAMS
 AND BUSES ONLY**

Issue: A: 6.7.94
 B: 8.7.04
 C:

Date: S.P.
 Approved by:
 R.M.

Dimensions:
 MILLIMETRES

Drawing No.
P 953.1
 Sheet 2 of 2