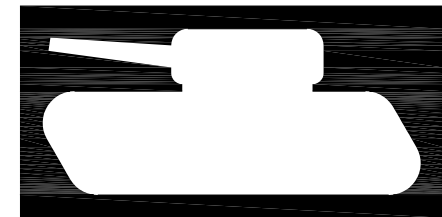
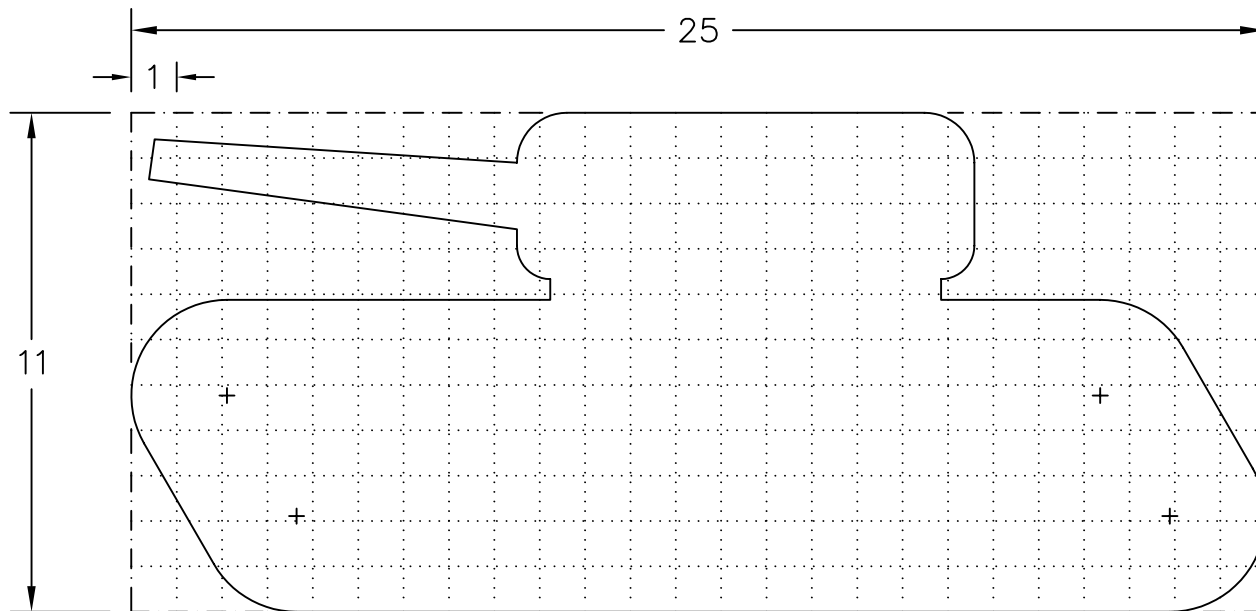


Drawing No.
AT 168

© CROWN COPYRIGHT

- NOTES: 1. The grid does not form part of any sign to which the symbol is applied.
2. Dimensions are given in grid divisions, which are normally equal to 1/4 x-height.
3. The symbol may be reversed.
4. The symbol is an 'approved symbol' as referred to in the Traffic Signs Regulations and General Directions 2002, Schedule 16, items 24 and 33, and as such does not require special authorisation.
5. The symbol is for use on signs indicating tourist destinations in England and Wales.



AT168

Before using this drawing, confirm that it has not been superseded.

**Department for
Transport**

Title: Approved Tourist Attraction Symbol
(England and Wales)
MILITARY MUSEUM

Issue: Date:
A: 14.12.05
B:
C:

Drawn by:
R.M.
Approved by:
R.M.

Dimensions:
SEE
NOTE 2

Drawing No.
AT 168