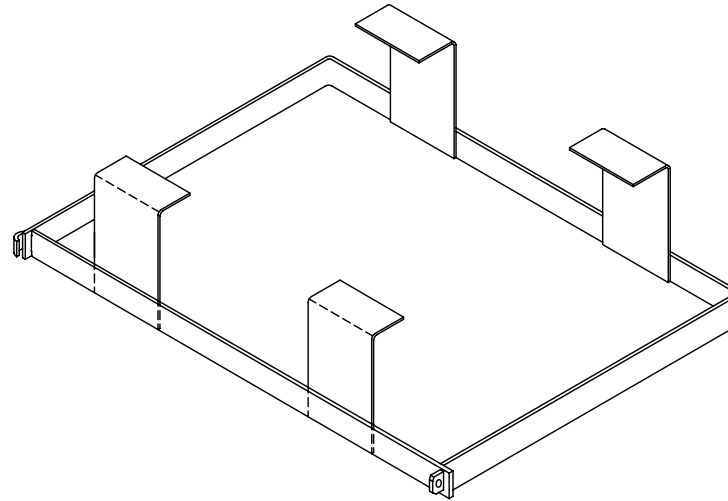


SECURITY STRAP FITTING ARRANGEMENT
TO CABINET 600

- Notes
- (REV. B) 1. Security strap stock code number:- CABINET-0005-2-000.
 - (REV. B) 2. Padlocks and keys for the security strap are available from Highways Agency.



SECURITY STRAP DETAIL

(REV. B)

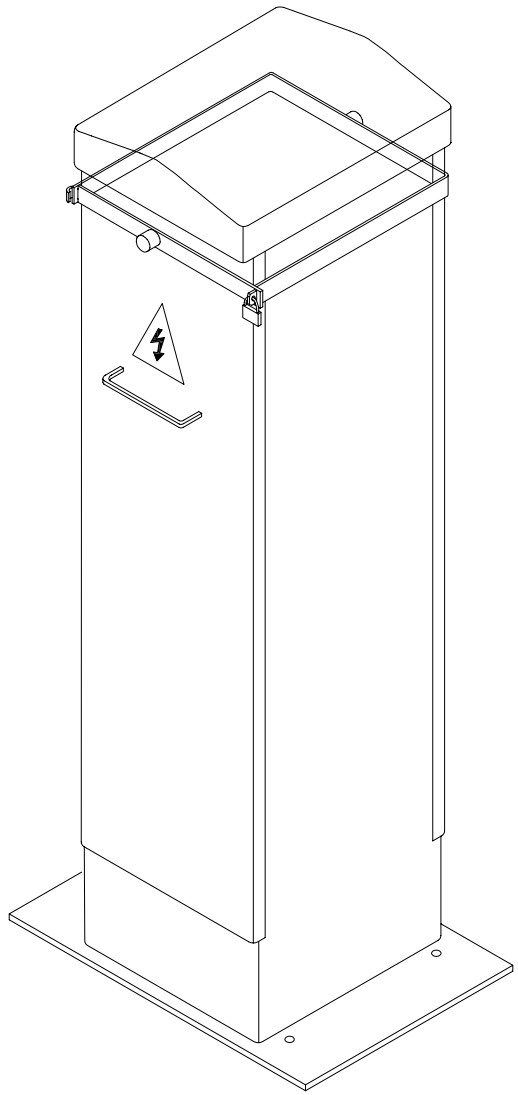
This drawing was generated on computer and must not be manually updated

E	HA ADDRESS REPLACED BY HCD NOTES 1 & 2 REVISED	DWE 02.06
D	ADDRESS & LOGO REVISED COPYRIGHT NOTICE REMOVED	DWE 02.02
C	REDRAWN	DWE 7.97
B	TITLE BLOCK REVISED	PM 18.7.94
A	INITIAL ISSUE	8.93
ISSUE	AMENDMENTS	APPD/DATE
DRN	SM	CHKD RES
DATE	7.93	DATE 8.93
DRG. NO.	MCX 0602	
		SCALE NTS
		SHT. NO. 1 of 2

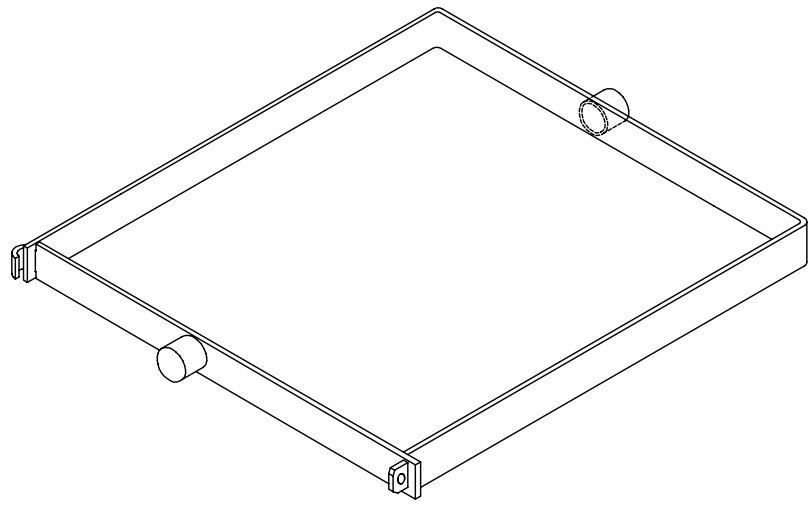
ORIGINAL DRAWING SIZE: 297 x 420
ALL DIMENSIONS ARE IN MM
TOLERANCE ± UNLESS OTHERWISE STATED
THIRD ANGLE PROJECTION DO NOT SCALE

HIGHWAY CONSTRUCTION DETAILS

TITLE
INSTALLATION DRAWING NMCS 2
SECURITY STRAP FOR CABINET 600



SECURITY STRAP FITTING ARRANGEMENT
TO CABINET 609



SECURITY STRAP DETAIL

- Notes
- (REV. B) 1. Security strap stock code number:- CABINET-0023-2-000.
 - (REV. B) 2. Padlocks and keys for the security strap are available from Highways Agency.

(REV. B)

This drawing was generated on computer and must not be manually updated

HIGHWAY CONSTRUCTION DETAILS

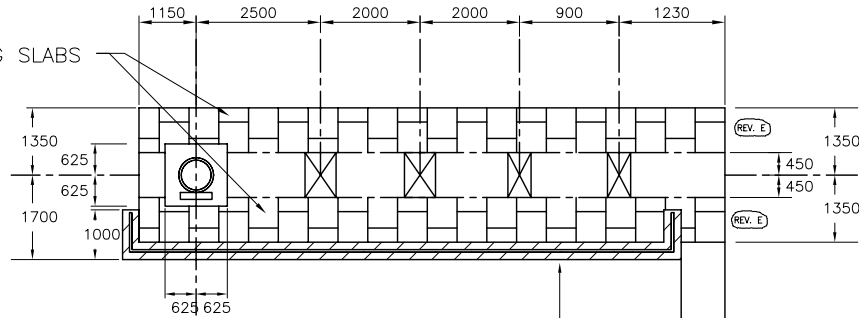
TITLE
INSTALLATION DRAWING NMCS 2
SECURITY STRAP FOR CABINET 609

ORIGINAL DRAWING SIZE: 297 x 420
ALL DIMENSIONS ARE IN MM
TOLERANCE ± UNLESS OTHERWISE STATED
THIRD ANGLE PROJECTION DO NOT SCALE

E	HA ADDRESS REPLACED BY HCD NOTES 1 & 2 REVISED	DWE 02.06
D	ADDRESS & LOGO REVISED COPYRIGHT NOTICE REMOVED	DWE 02.02
C	REDRAWN	DWE 7.97
B	TITLE BLOCK REVISED	PM 18.7.94
A	INITIAL ISSUE	8.93
ISSUE	AMENDMENTS	APPD/DATE
DRN	SM	CHKD RES
DATE	7.93	DATE 8.93
DRG. NO.	MCX 0602	
		SCALE NTS
		SHT. NO. 2 of 2

MCX 0603 – 0722
NOT USED

REV. E 600x600x50 PAVING SLABS



RETAINING WALL REQUIRED IF LOCATED ABOVE HARD SHOULDER

HARD SHOULDER

STEPS (IF REQUIRED BY DMRB TA 77 CHAPTER 10)

NOTE

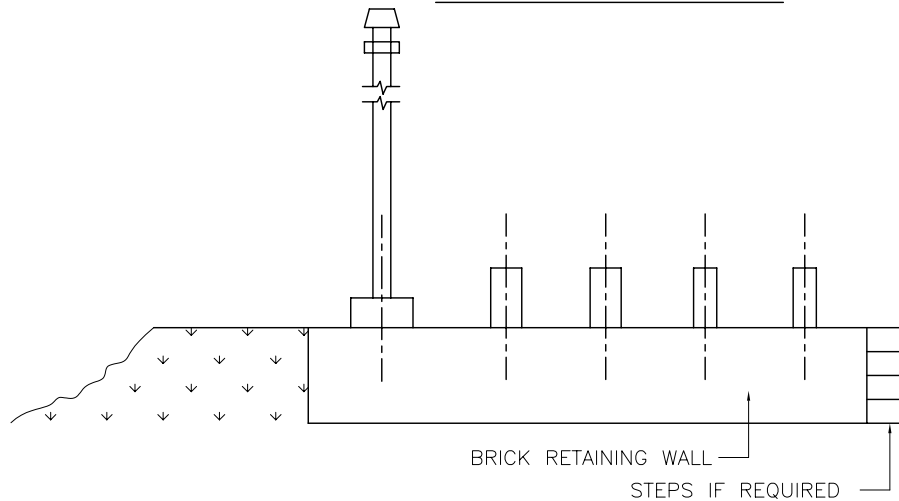
1. THIS OVERALL SITE DIMENSION MAY BE REDUCED WHERE FEWER CABINETS ARE INSTALLED. DRAWING SHOWS THE MAXIMUM NUMBER OF CABINETS NORMALLY REQUIRED.



LANE 1 - DIRECTION OF TRAFFIC



SITE LAYOUT OVERVIEW



BRICK RETAINING WALL

STEPS IF REQUIRED

SECTION A-A

CABINET 609 ELECTRICITY BOARD INTERFACE

This drawing was generated on computer and must not be manually updated

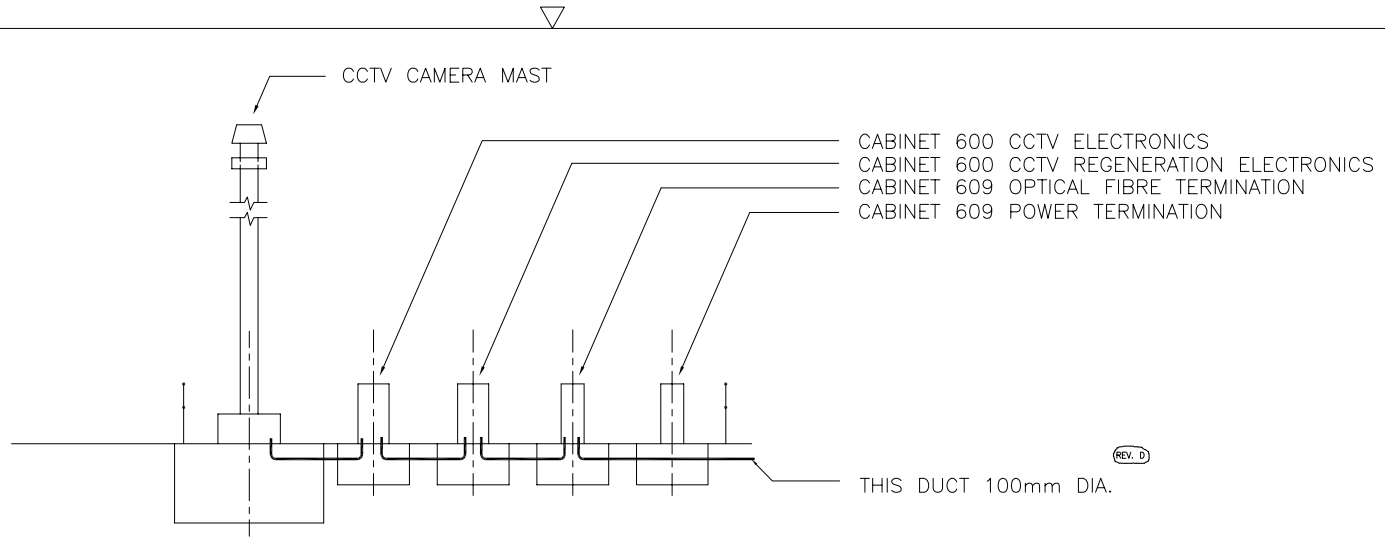
E	PAVING SLAB SIZES AMENDED	DWE 08.05
D	NOTES REVISED AS SHOWN ADDRESS BLOCK REVISED	DWE 08.02
C	ADDRESS & LOGO REVISED COPYRIGHT NOTICE REMOVED	DWE 02.02
B	NEW DRAWING BLANK	FJC 1.7.97
A	INITIAL ISSUE	NJE 14.9.94
ISSUE	AMENDMENTS	APPD/DATE
DRN	RG	CHKD MS
DATE 6.4.92		DATE 23.4.92
DRG. NO.	SCALE NTS	
	SHT. NO. 1/3	

HIGHWAY CONSTRUCTION DETAILS

TITLE
INSTALLATION DRAWING
CAMERA SITE - CABINET LAYOUT

ORIGINAL DRAWING SIZE: 297 x 420
ALL DIMENSIONS ARE IN MM
TOLERANCE ± UNLESS OTHERWISE STATED
THIRD ANGLE PROJECTION DO NOT SCALE

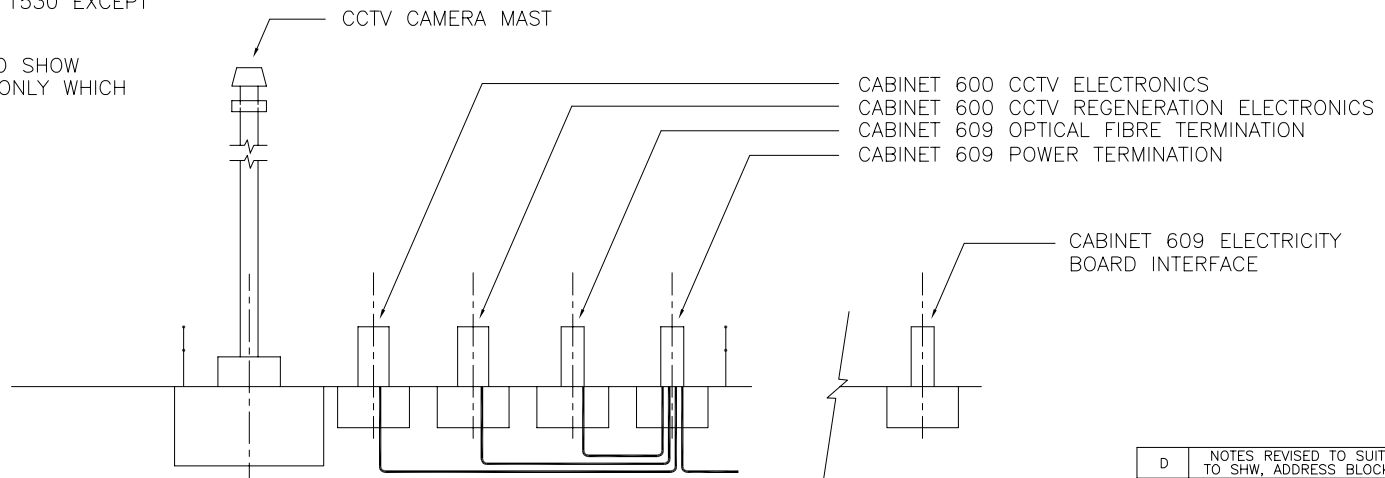
MCX 0723



COMMUNICATIONS DISTRIBUTION

NOTES

1. ALL POWER DUCTS 100mm ϕ IN ACCORDANCE WITH SHW CLAUSE 1530. (REV. D)
2. ALL COMMUNICATIONS DUCTS 50mm ϕ IN ACCORDANCE WITH SHW CLAUSE 1530 EXCEPT WHERE STATED OTHERWISE. (REV. D)
3. THIS DRAWING DOES NOT TRY TO SHOW THE EXACT ROUTES OF DUCTS, ONLY WHICH CABINETS THEY INTERCONNECT.



POWER DISTRIBUTION

D	NOTES REVISED TO SUIT REF TO SHW, ADDRESS BLOCK REV.	DWE 08.02
C	ADDRESS & LOGO REVISED COPYRIGHT NOTICE REMOVED	DWE 02.02
B	NEW DRAWING BLANK	FJC 1.7.97
A	INITIAL ISSUE	NJE 14.9.94
ISSUE	AMENDMENTS	APPD/DATE
DRN	RG	CHKD MS
DATE	6.4.92	DATE 23.4.94
DRG. NO.	MCX 0723	
		SCALE NTS
		SHT. NO. 2/3

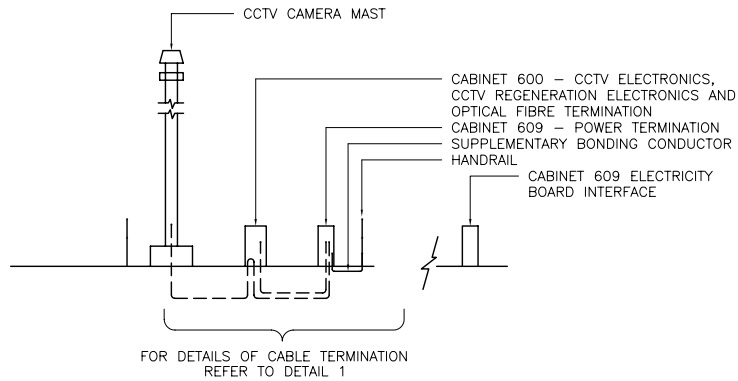
(REV. D)

This drawing was generated on computer and must not be manually updated

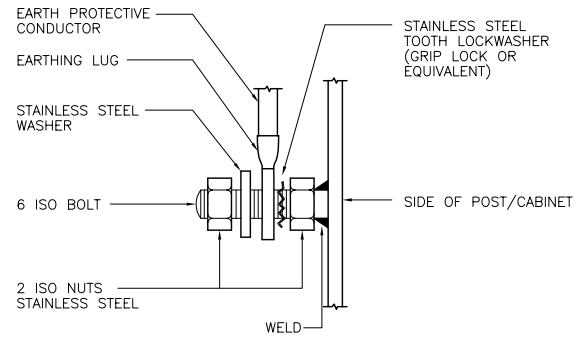
HIGHWAY CONSTRUCTION DETAILS

TITLE
 INSTALLATION DRAWING
 CAMERA SITE - DUCT ARRANGEMENT

ORIGINAL DRAWING SIZE: 297 x 420
 ALL DIMENSIONS ARE IN MM
 TOLERANCE \pm UNLESS OTHERWISE STATED
 THIRD ANGLE PROJECTION DO NOT SCALE



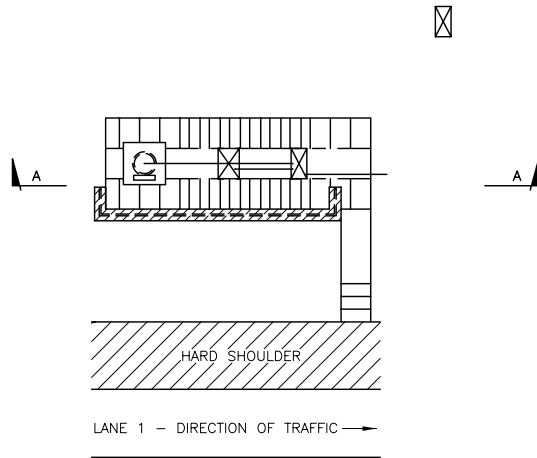
SECTION A-A (REV. D)



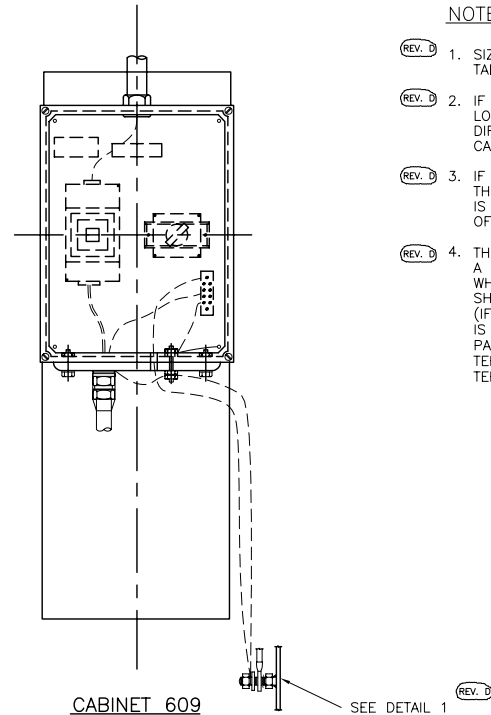
DETAIL 1

NOTES

- (REV. D) 1. SIZE OF BONDING CONDUCTOR TO BE AS TABLE 54H OF BS 7671.
- (REV. D) 2. IF ELECTRICITY SUPPLY CO. INTERFACE CABINET IS LOCAL TO SITE, ALL UNITS TO BE BONDED DIRECTLY TO ELECTRICITY SUPPLY CO. INTERFACE CABINET.
- (REV. D) 3. IF SECONDARY POWER CABINET IS PRESENT THEN NO BOND BETWEEN IT AND MAIN BOARD IS REQUIRED IF CIRCUIT PROTECTIVE CONDUCTOR OF CABLE SATISFIES NOTE 1 ABOVE.
- (REV. D) 4. THIS DRAWING REFERS TO A CAMERA SITE WITH A LOCAL ELECTRICITY SUPPLY CO. INTERFACE CABINET. WHERE ONE DOES NOT EXIST ALL EARTH BONDS SHALL TERMINATE IN THE POWER CABINET (IF THE CABINET 609 ELECTRICITY SUPPLY CO. INTERFACE IS MORE THAN 5m FROM ANY EXTRANEIOUS CONDUCTIVE PART OF THE CCTV BASE, THE MAIN EARTHING TERMINAL SHALL BE WITHIN THE POWER TERMINATION CABINET 609).



SITE LAYOUT OVERVIEW (REV. D)



CABINET 609

SEE DETAIL 1 (REV. D)

D	NOTE 4 DEL, NOTES 1,2,3 & 4 REV. SECT A-A, SITE LAYOUT REV.	DWE 02.06
C	NOTES 6 & 7 DELETED NO LONGER APPLICABLE	DWE 02.02
B	NEW DRAWING BLANK	FJC 1.7.97
A	INITIAL ISSUE	NJE 14.9.94
ISSUE	AMENDMENTS	APPD/DATE
DRN	RG	CHKD MS
DATE	6.4.92	DATE 23.4.92
DRG. NO.	MCX 0723	
		SHT. NO. 3 of 3

This drawing was generated on computer and must not be manually updated

HIGHWAY CONSTRUCTION DETAILS

TITLE
INSTALLATION DRAWING
CAMERA SITE – EARTHING ARRANGEMENT

ORIGINAL DRAWING SIZE: 297 x 420
ALL DIMENSIONS ARE IN MM
TOLERANCE ± UNLESS OTHERWISE STATED
THIRD ANGLE PROJECTION DO NOT SCALE



MCX 0724 – 0799
NOT USED